



Leica LS10/LS15 Quick Guide

Version 1.0
English

- when it has to be **right**

Leica
Geosystems

1

Important Information about your Instrument



Read and follow the User Manual on the accompanying USB card before using the product.

- This Quick Start Guide contains first use directions as well as initial, basic instructions for setting up the product and operating it.
 - Keep all documentation for future reference!
-

Intended Use

- Electronic and optical height and distance measurements to a staff.
 - Angle measurement with the horizontal circle.
 - Recording measurements.
 - Calculations using measuring programs.
-



The product must not be disposed with household waste.

Conformity to national regulations

- FCC Part 15, 22 and 24 (applicable in US)
- Hereby, Leica Geosystems AG, declares that the product LS10/LS15 is in compliance with the essential requirements and other relevant provisions of Directive 1999/5/EC. The declaration of conformity can be consulted at <http://www.leica-geosystems.com/ce>.



Class 1 equipment according European Directive 1999/5/EC (R&TTE) can be placed on the market and be put into service without restrictions in any EEA member state.

- The conformity for countries with other national regulations not covered by the FCC part 15, 22 and 24 or European directive 1999/5/EC has to be approved prior to use and operation.
- Japanese Radio Law and Japanese Telecommunications Business Law Compliance.
 - This device is granted pursuant to the Japanese Radio Law and the Japanese Telecommunications Business Law.
 - This device should not be modified (otherwise the granted designation number will become invalid).

2

Instrument Components

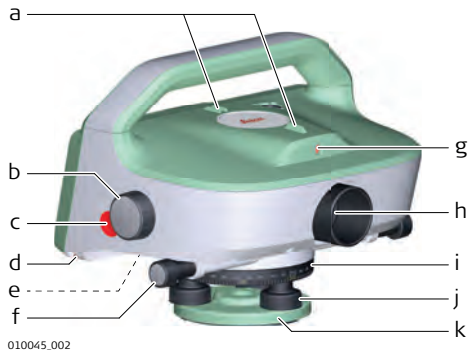
Instrument Components (Part 1)



010044_002

- a) Optical sight
- b) Handle with integrated prism for viewing the circular level
- c) Circular level
- d) Touchscreen
- e) Battery compartment, also containing interface for USB stick and Mini USB
- f) Horizontal drive
- g) Push button to open battery compartment
- h) Function keys
- i) ON/OFF key
- j) Keyboard
- k) Eyepiece
- l) Protective cap for crosshair adjustment screw
- m) Horizontal circle

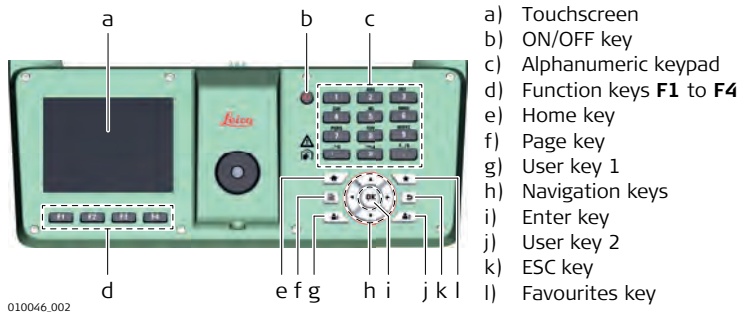
Instrument Components (Part 2)



- a) Optical sight
- b) Focussing drive
- c) Trigger key
- d) Stylus for touchscreen
- e) RS232/USB serial interface with external power supply **(only LS15)**
- f) Horizontal drive
- g) Overview camera **(only LS15)**
- h) Objective
- i) Horizontal circle
- j) Footscrews
- k) Base plate

en

Keyboard



**Environmental
Specifications****Temperature**

Operating temperature [°C]	Storage temperature [°C]
-20 to +50	-40 to +70

Protection against water, dust and sand

IP55 (IEC 60529)

Humidity

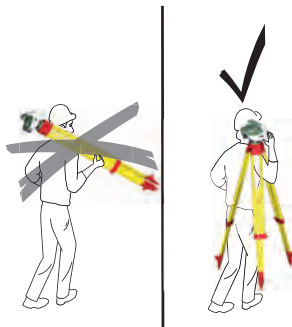
Up to 95 %.

No condensation.

4 Care and Transport

Care and Transport

- Carry the product in its original container or carry the tripod with its legs splayed across your shoulder, to protect the product against shock and vibration.



5

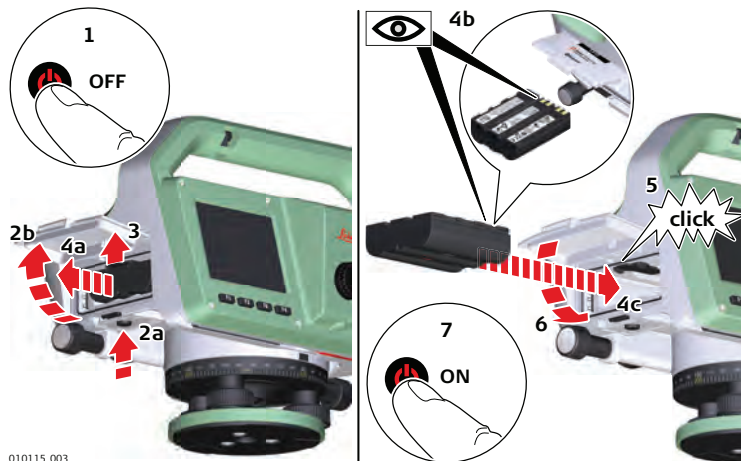
Operation



The battery must be charged before using it for the first time.

en

Turning the Instru-
ment ON and OFF



010115_003

Leica Geosystems AG

Heinrich-Wild-Strasse
CH-9435 Heerbrugg
Switzerland

Phone +41 71 727 31 31

www.leica-geosystems.com

- when it has to be **right**

Leica
Geosystems

837281-1.0.0en

Original text
Printed in Singapore
© 2015 Leica Geosystems AG, Heerbrugg, Switzerland