

Super PeeWee® IV Camera Dolly

USER GUIDE

Operational Instructions & Specifications



Super PeeWee® IV

**CHAPMAN/
LEONARD**
STUDIO EQUIPMENT, INC.



888-883-6559
www.chapman-leonard.com

CHAPMAN/ LEONARD STUDIO EQUIPMENT, INC.



It is Chapman/Leonard's goal to provide the best camera support equipment with exceptional Customer Service. Therefore, we are compiling this User Guide to aid in the reordering of Replacement Parts for your Leased Equipment.

For any questions regarding this User Guide, please contact Customer Service at 888-883-6559 or 818-764-6726.

Chapman/Leonard Certified Locations:

MAIN OFFICE

12950 Raymer Street,
North Hollywood, CA 91605

888-883-6559
or 818-764-6726
Fax: 818-764-6730
or 818-764-4347

Canada

8301 Eastlake Drive
Burnaby, British Columbia
V5A 4W2 Canada

866-848-2602
or 604-299-0913
Fax: 604-299-0926

UK and Europe

Chapman Leonard Studio
Equipment, Ltd.
Unit 5
Kingley Park Station Road
Kings Langley, Herts
England WD4 8GW

01923 265 953

Texas

1901 E. 51st Street, Suite 38
Austin, Texas 78723

512-473-0084
or 888-758-4826
Fax: 512-473-0042

Louisiana

660 Distributors Row Suite C & D
Elmwood Business Park
New Orleans, LA 70123

888-758-4826

Florida

9460 Delegates Drive
Orlando, Florida 32837

888-337-8243
or 407-851-3456
Fax: 407-855-1653

The Operator must be a Chapman Technician. For Assistance Please call our 24 hour Customer Service at 1-888-883-6559 or 1-818-764-6726.

CONTENTS

3	Unpacking & Setup
4	Unpacking the Accessories
5	Accessory Cart Identified
6	Attaching Upper Walk-Around
7	Attaching Upper Walk-Around
8	Attaching Upper Walk-Around
9	Upper & Lower Walk-Around Setups
10	Attaching Lower Walk-Around
11	Attaching Lower Walk-Around
12	Attaching Lower Walk-Around
13	Attaching Lower Walk-Around
14	Attaching Lower Walk-Around
15	Attaching Walk-Around for Low-Mode
16	Attaching Walk-Around for Low-Mode
17	MI Board Setup
18	Basic Configurations
19	Specifications
20	Tracks & Setup Strategy
21	Geometry Lever
22	Leg Locks & Wheel Locks
23	Valve Control & Gauge
24	Feathering Levers
25	Arm Movement Markers
26	Steering Control Pins
27	Shifting/Steering Modes
28	Charging the Dolly
29	Universal Head Features
30	4-Way Leveling/Swing Head Features
31	Low Plate Options
32	Oil Tank & Heater
33	Tire Choices
34	Electrical Plug Options
35	Cleaning Procedures
36	Shipping
37	Technical Help
38	Label and Sticker Placement
42	Index

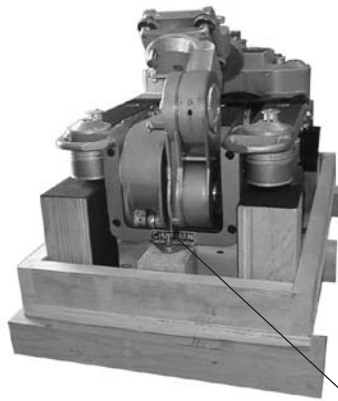


Super PeeWee® IV Unpacking & Setup

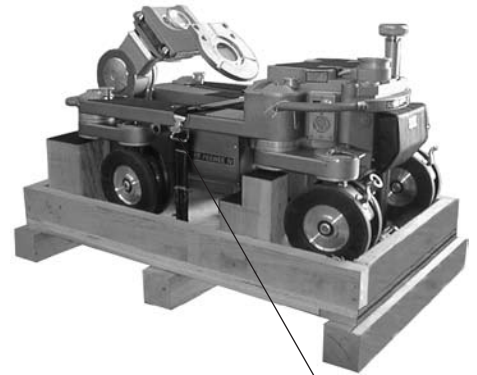
The Super PeeWee® IV
Shipping Crate #1655



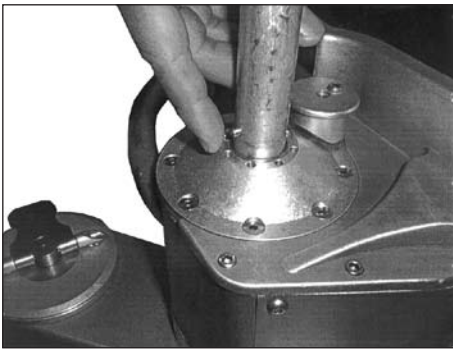
Remove Clamps



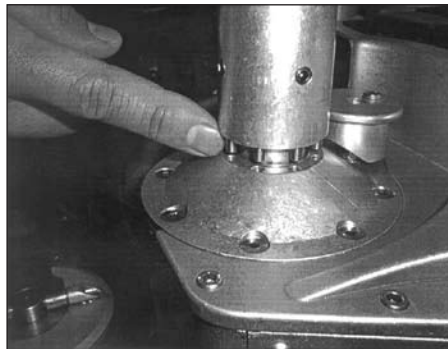
Remove Retaining Bolt



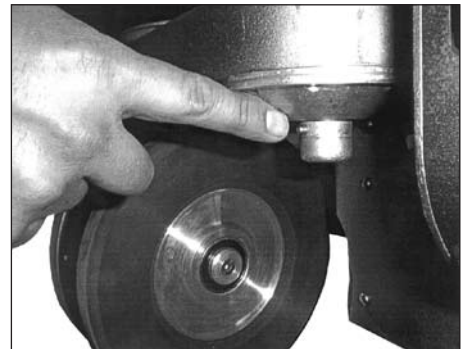
Remove Strap



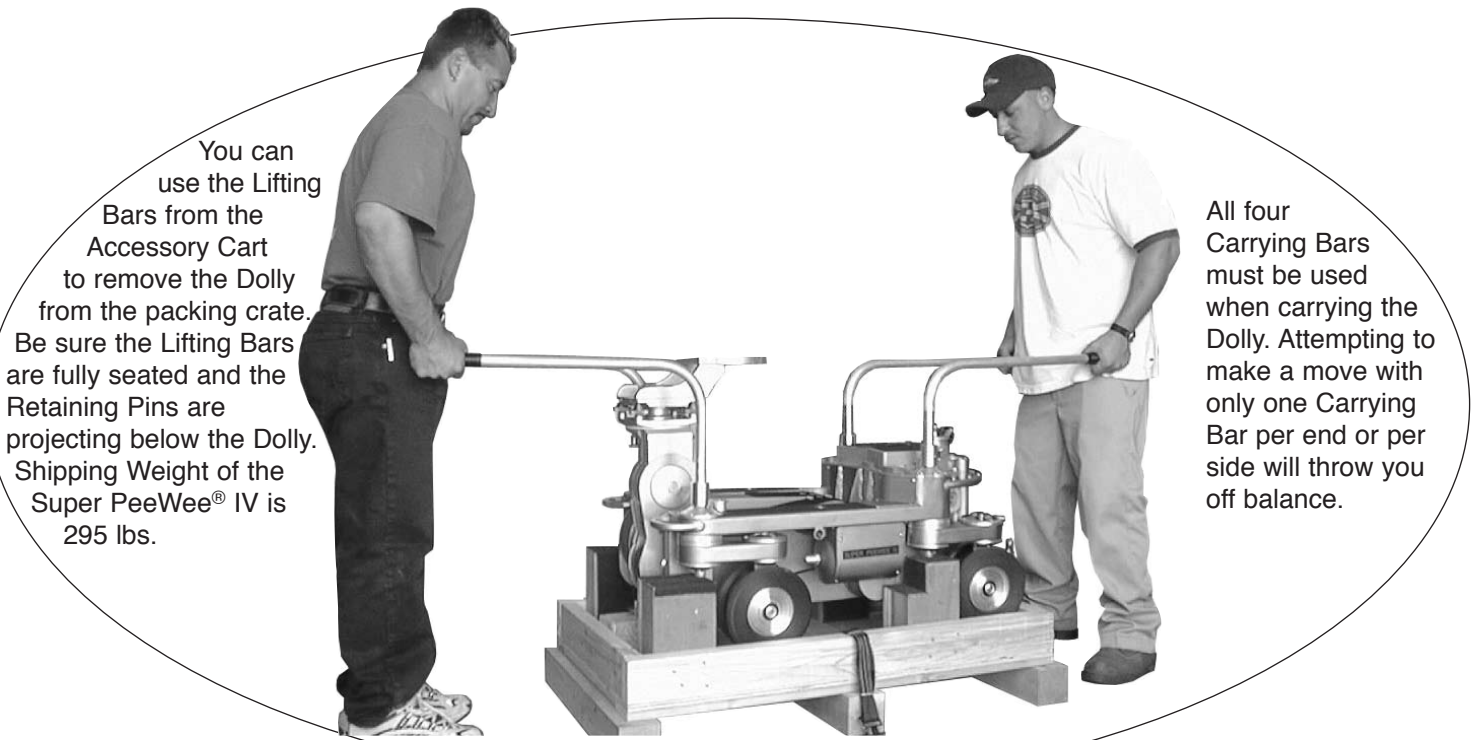
Insert the **Lifting Bars** #1694 into the seat pocket holes at all four corners of the Dolly. You must depress the spring loaded Locking Pin as it enters the Seat Pocket Sleeve.



The collared **Dowel Pins** should engage in the Upper Kingpin Cap before the Locking Pin engages at the Lower Kingpin Cap.



To remove or realign the Lifting Bars you simply depress the **Locking Pin** and Lift the Bar from the Dolly.



You can use the Lifting Bars from the Accessory Cart to remove the Dolly from the packing crate. Be sure the Lifting Bars are fully seated and the Retaining Pins are projecting below the Dolly. Shipping Weight of the Super PeeWee® IV is 295 lbs.

All four Carrying Bars must be used when carrying the Dolly. Attempting to make a move with only one Carrying Bar per end or per side will throw you off balance.

The Operator should be Qualified. For Assistance Please call our 24 hour Customer Service at 1-888-883-6559 or 1-818-764-6726.

Super PeeWee® IV Unpacking & Setup

The Accessory Cart #1685 has its own shipping crate with a ramp that can be positioned for easy unloading. The crate can be disassembled for flat storage against a wall, minimizing lost space at your facility.



The Cart has a vinyl cover that is secured with Velcro Strips to protect the accessories during overnight storage.

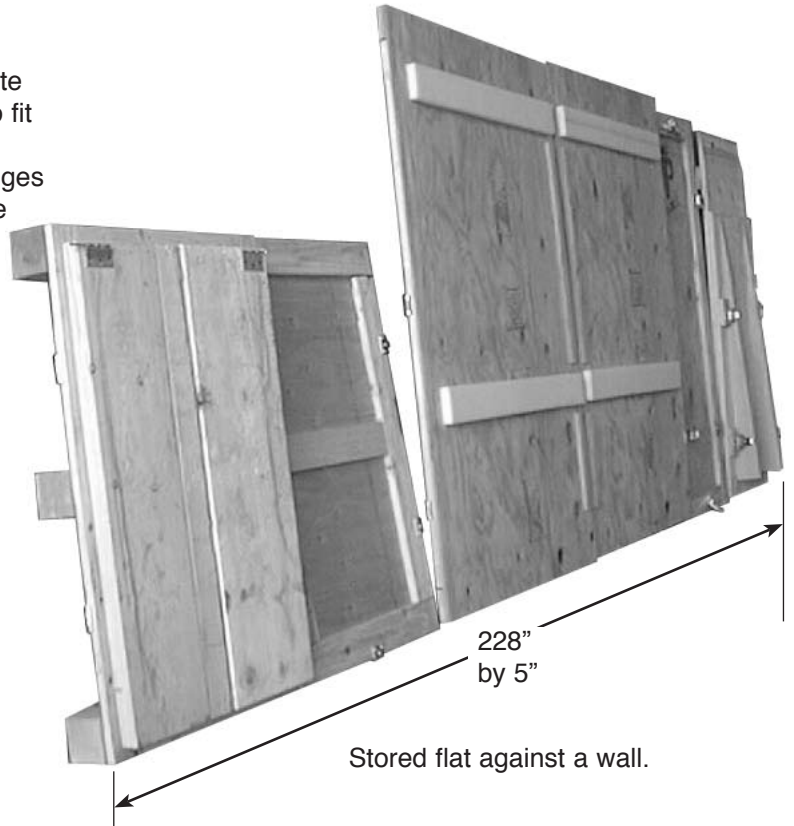
Tire Pressure must be maintained at the full rating of 65 psi to insure maximum stability and safety. Extra care should be used when moving the Accessory Cart on uneven or rough terrain.

As with all equipment you must secure the Cart during transport.

Shipping Weight of the Accessory Cart fully loaded is 715 lbs.

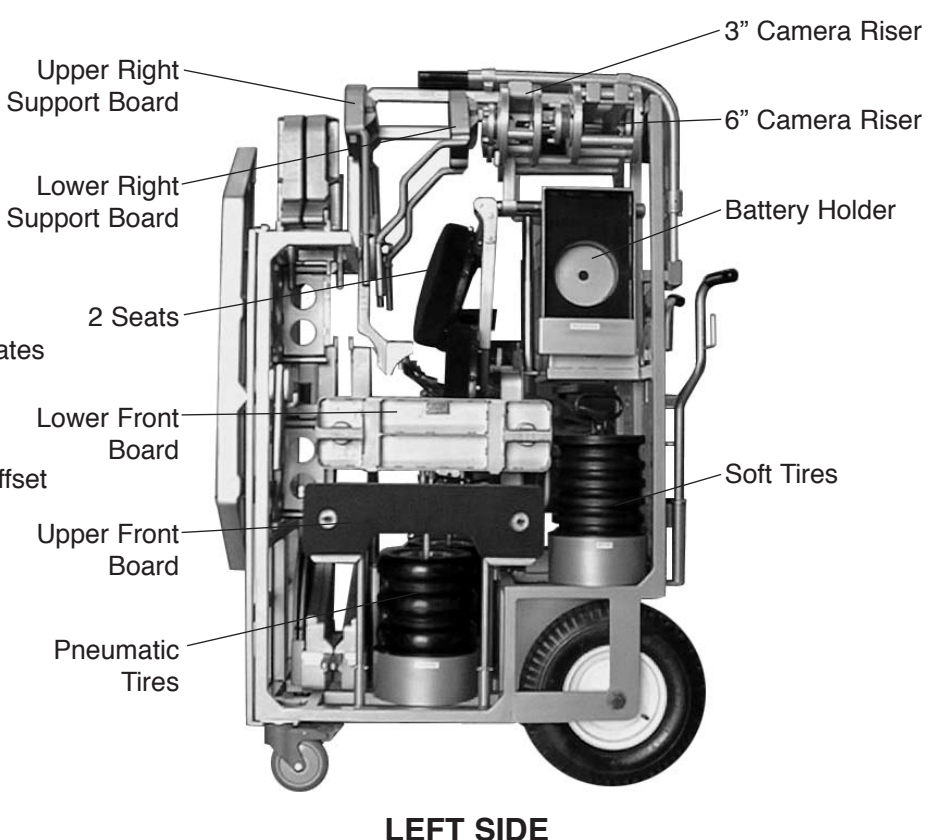
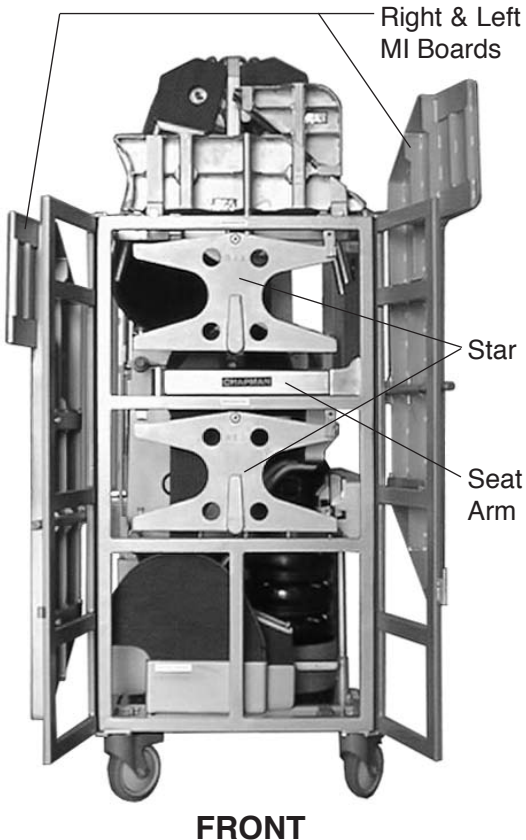
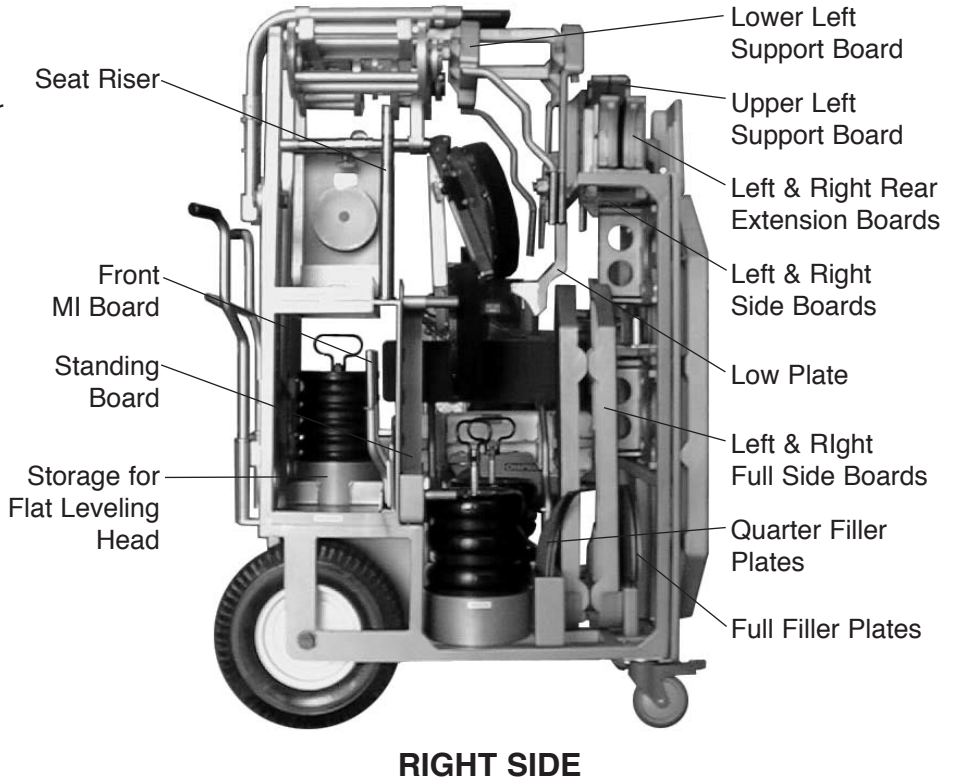
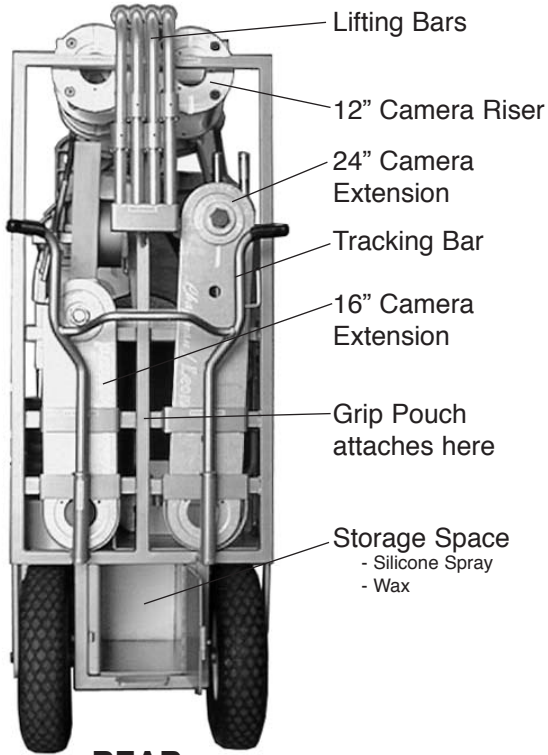


The disassembled crate can be stacked in any order to fit whatever space is available. Remove the Pins from the Hinges to separate the Ramp from the Base.



Super PeeWee® IV Accessory Cart Identified

Learn where the Accessories are located to facilitate quick access.
All Accessories can be removed without disturbing the others.



The Operator should be Qualified. For Assistance Please call our 24 hour Customer Service at 1-888-883-6559 or 1-818-764-6726.

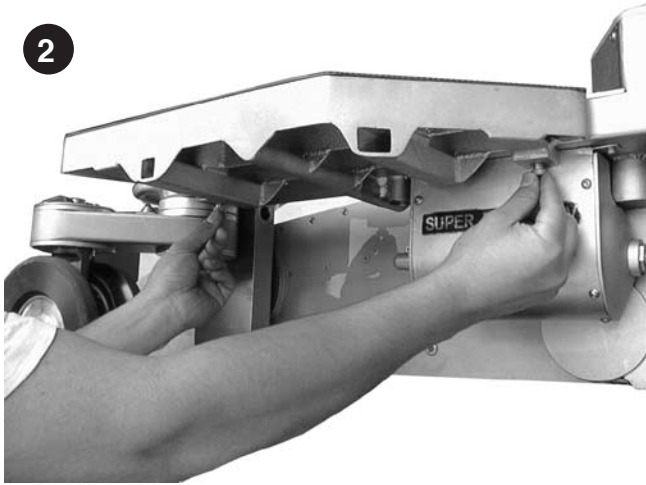
© 1999 No part of this manual may be reproduced or electronically transmitted without the written permission of Chapman/Leonard Studio Equipment, Inc.

Super PeeWee® IV Attaching Upper Walk-Around



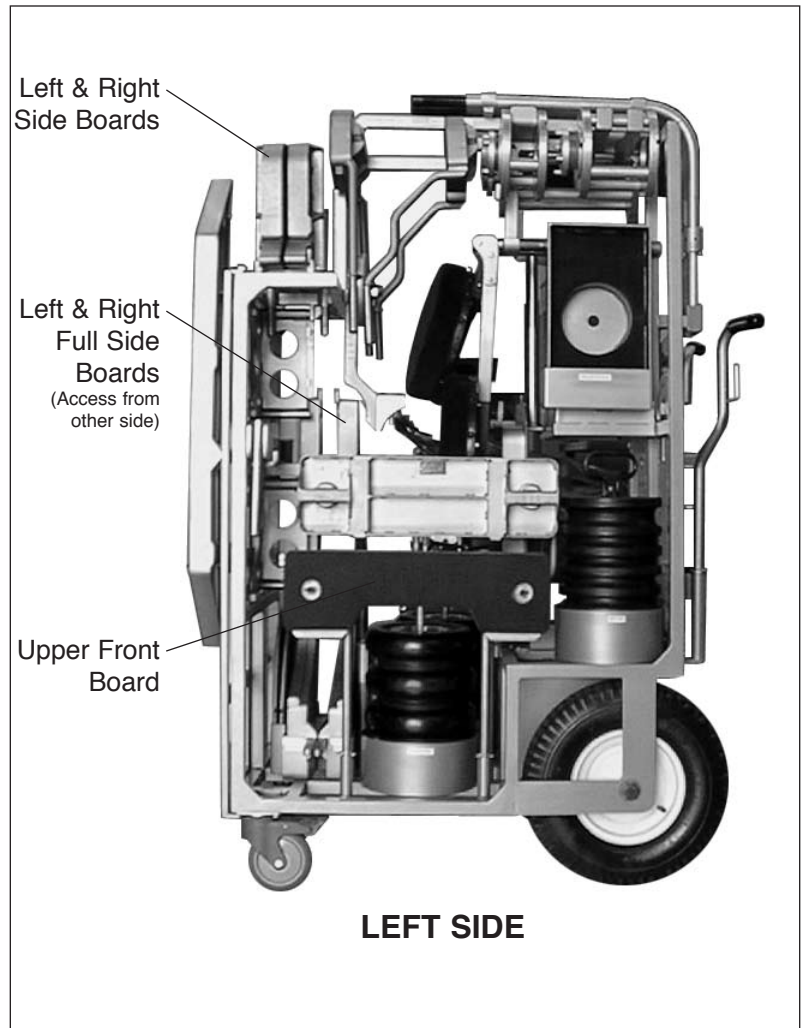
1

Right Side Board #1673



2

Adjust the two Thumb Screws #1645 on Side Board to take up play.



Left & Right Side Boards

Left & Right Full Side Boards (Access from other side)

Upper Front Board

LEFT SIDE



3

Upper Front Board #1676



4

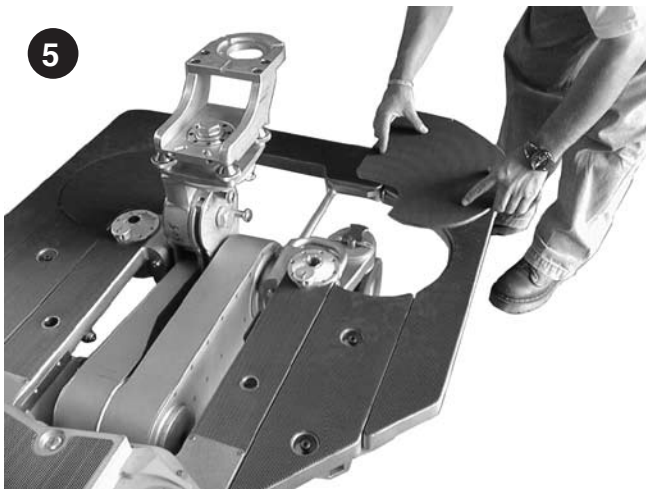
Right Full Side Board #1675



6

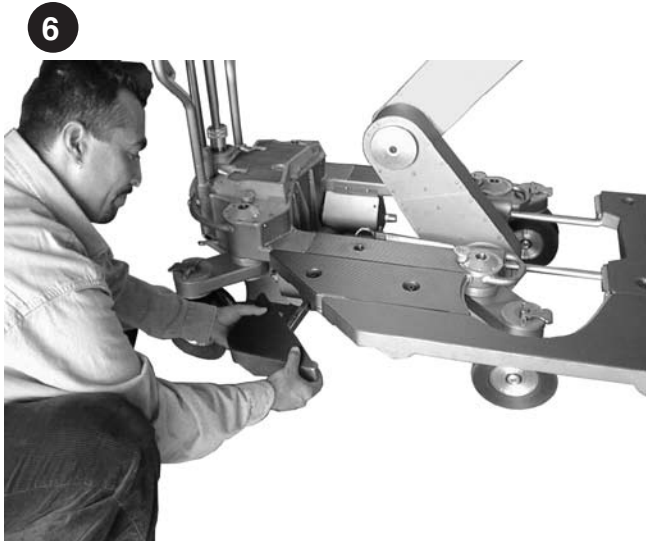
The Operator should be Qualified. For Assistance Please call our 24 hour Customer Service at 1-888-883-6559 or 1-818-764-6726.

Super PeeWee® IV Attaching Upper Walk-Around



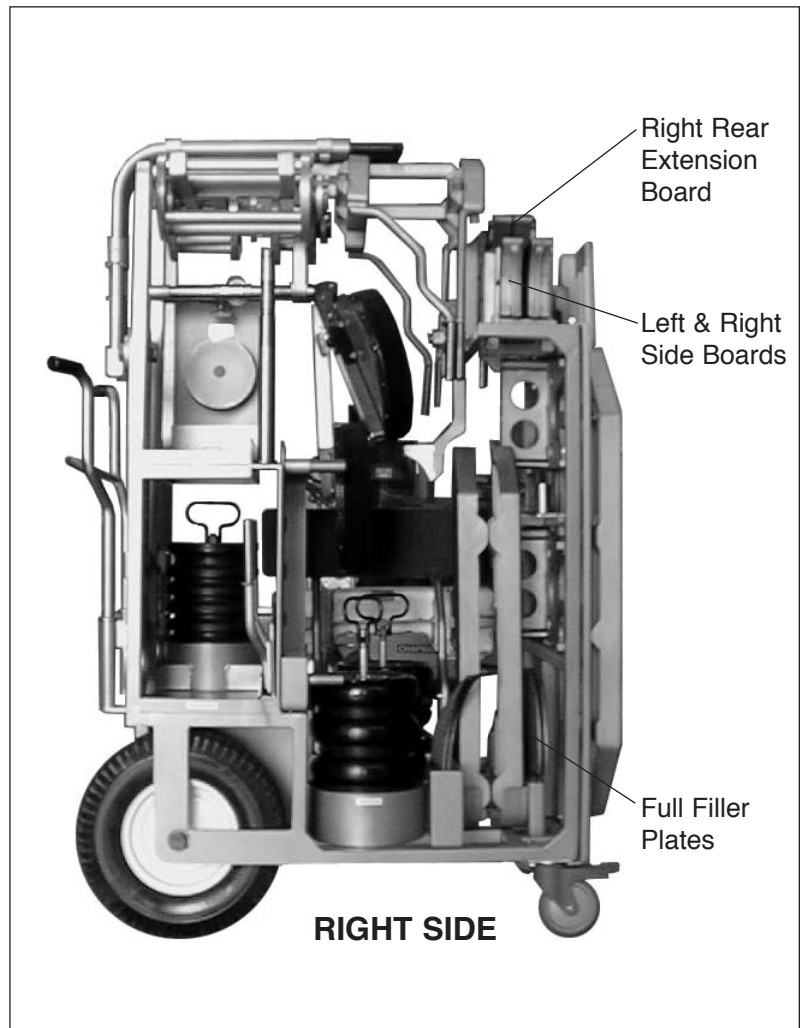
5

Full Filler Plate #1669



6

Right Rear Extension Board #1663

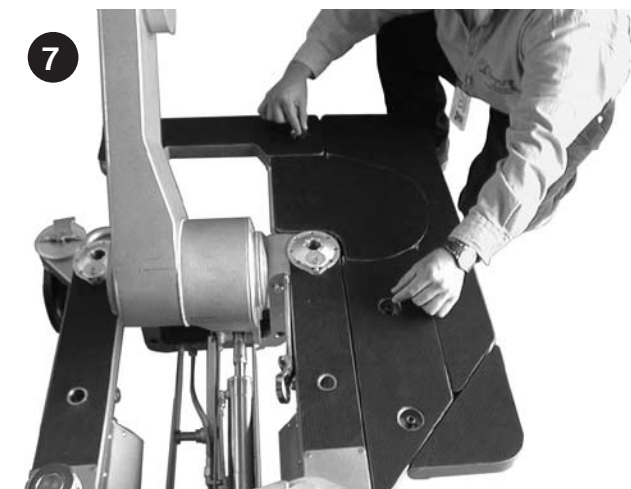


Right Rear Extension Board

Left & Right Side Boards

Full Filler Plates

RIGHT SIDE



7

Tighten Socket Head Screws #1642



8

Left Side Board #1672

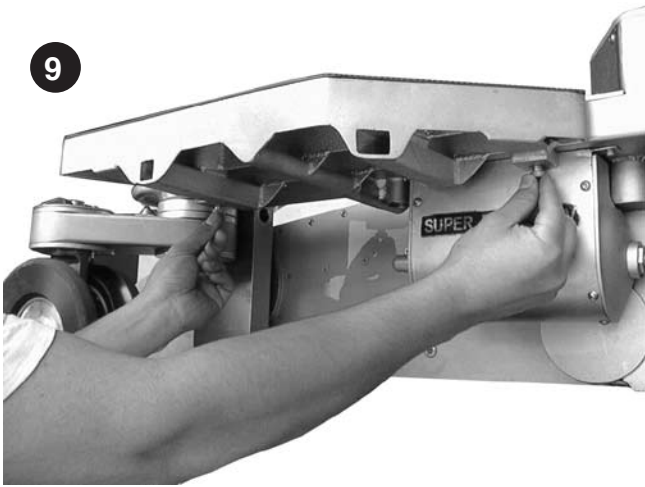
The Operator should be Qualified. For Assistance Please call our 24 hour Customer Service at 1-888-883-6559 or 1-818-764-6726.

© 1999 No part of this manual may be reproduced or electronically transmitted without the written permission of Chapman/Leonard Studio Equipment, Inc.

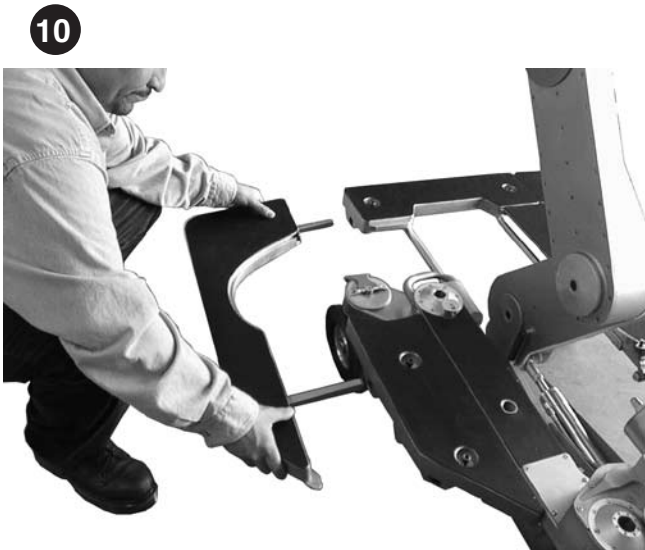


Revision 12 - 7/2008

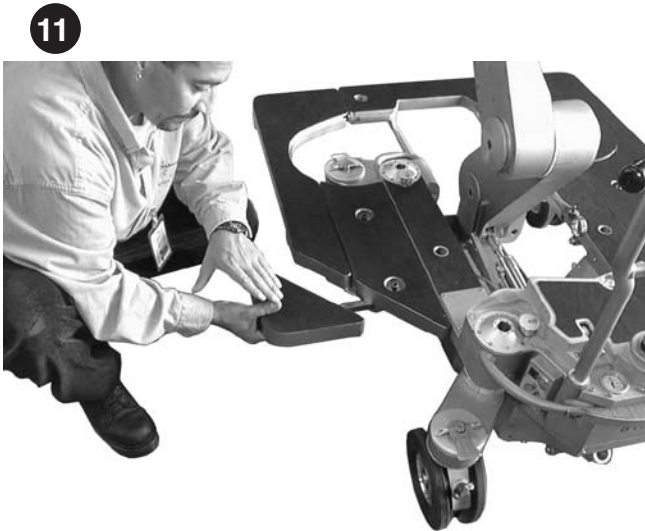
Super PeeWee® IV Attaching Upper Walk-Around



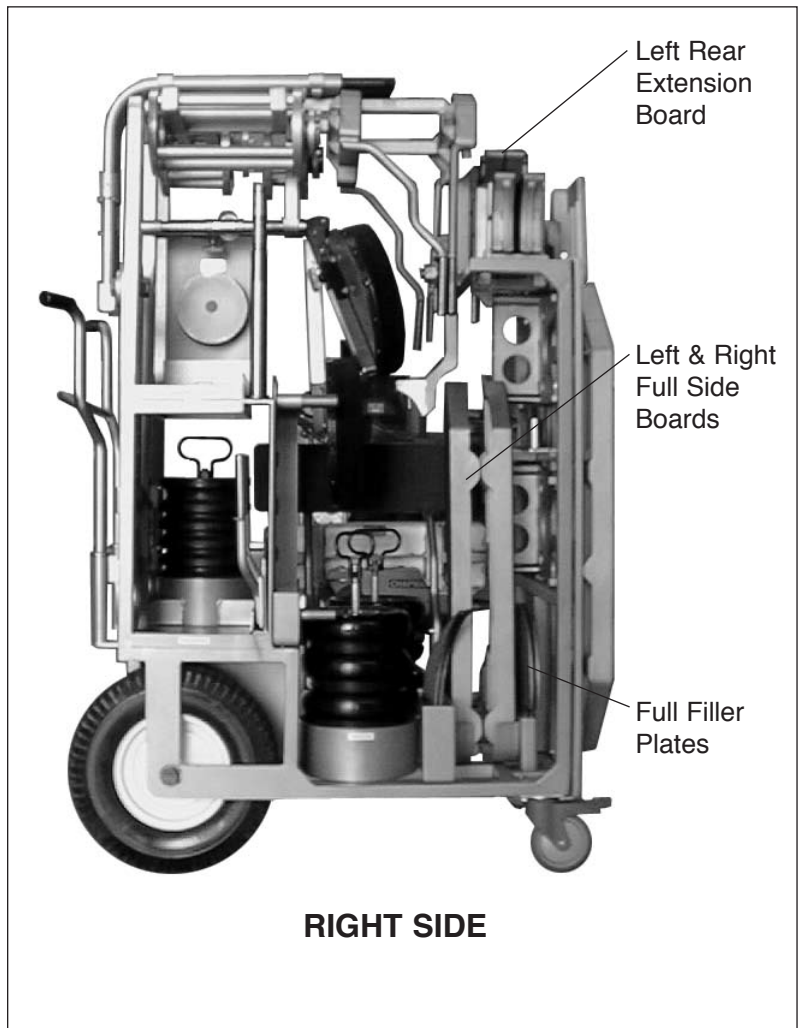
Adjust the two Thumb Screws #1645 on Side Board to take up play.



Left Full Side Board #1674



Left Rear Extension Board #1662



Full Filler Plate #1669



Super PeeWee® IV Upper & Lower Walk-Around Setups



Full Upper Walk-Around Setup

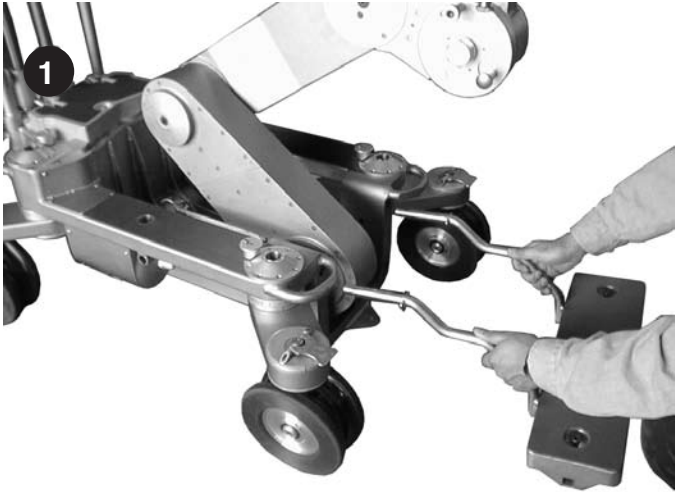


Full Lower Walk-Around Setup

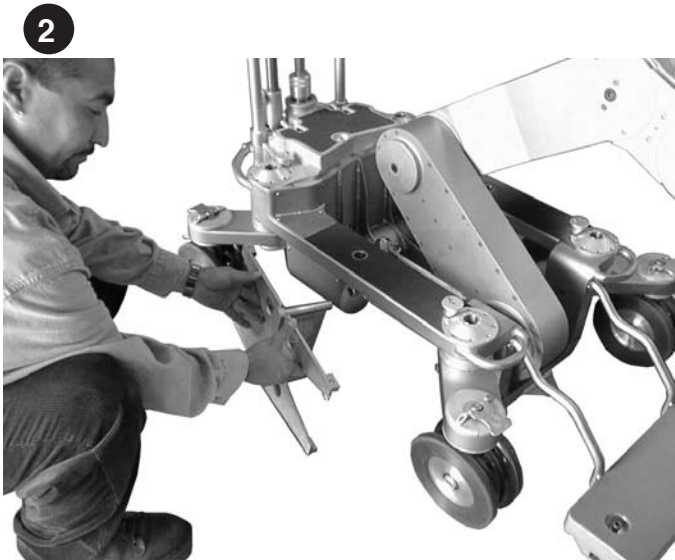
The Operator should be Qualified. For Assistance Please call our 24 hour Customer Service at 1-888-883-6559 or 1-818-764-6726.

© 1999 No part of this manual may be reproduced or electronically transmitted without the written permission of Chapman/Leonard Studio Equipment, Inc.

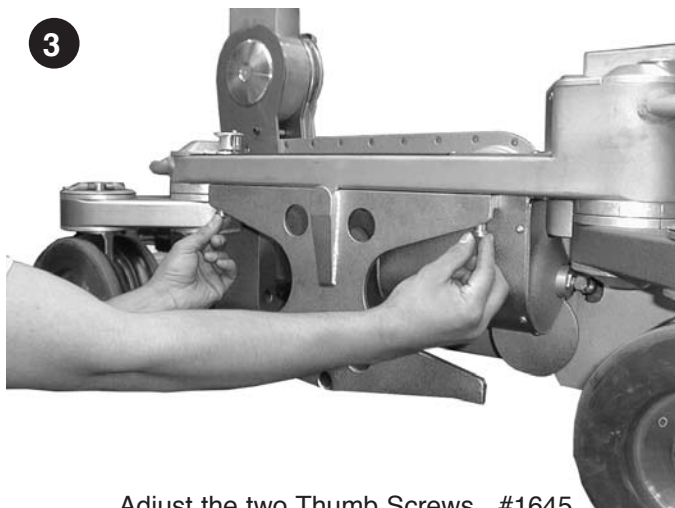
Super PeeWee® IV Attaching Lower Walk-Around



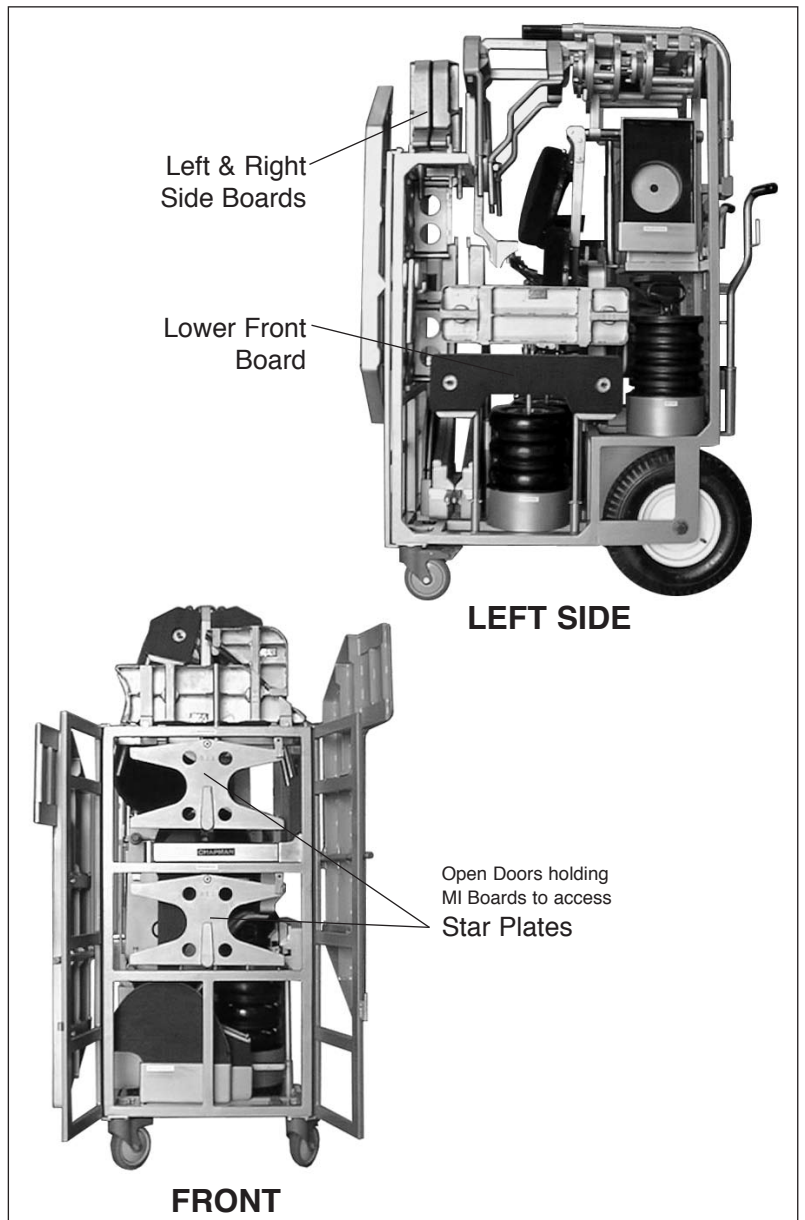
Lower Front Board #1677



Star Plate #1686

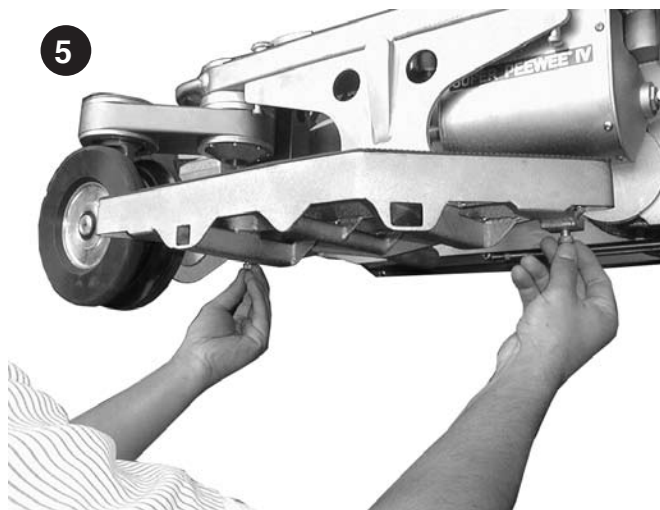


Adjust the two Thumb Screws #1645 on Star Plate to take up play.



Right Side Board #1673

Super PeeWee® IV Attaching Lower Walk-Around



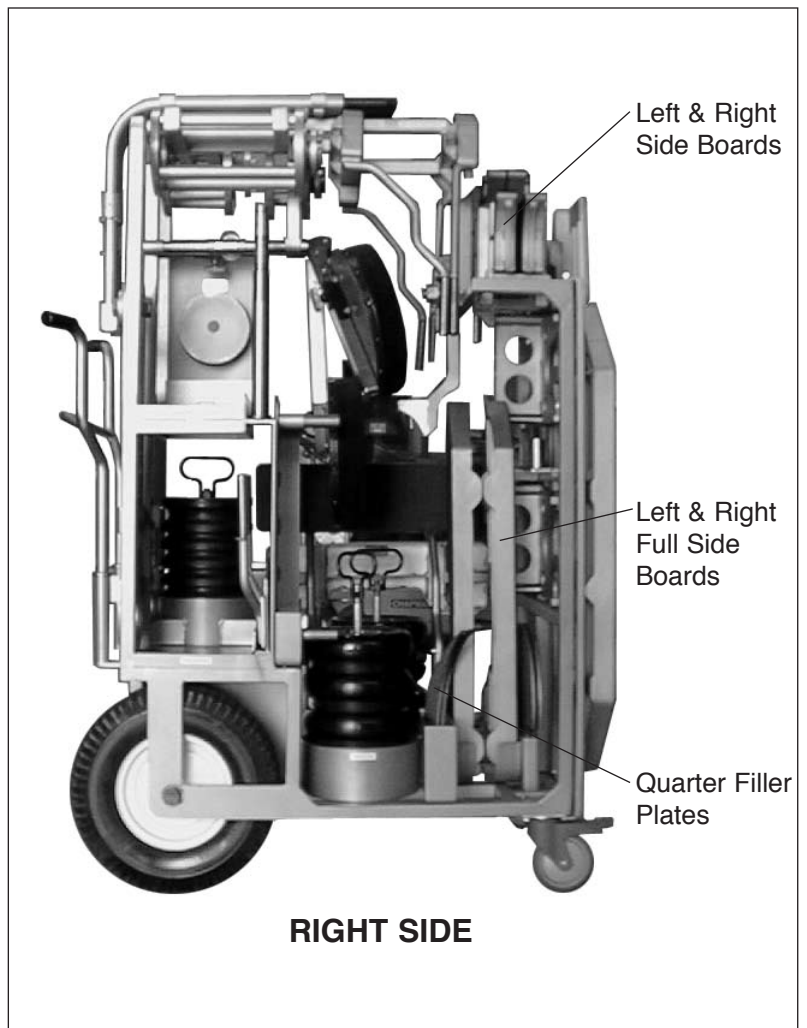
Adjust the two Thumb Screws #1645 on Side Board to take up play.



Right Full Side Board #1675



Tighten Socket Head Screws #1642



Quarter Filler Plate #1687
Allows for the front wheel clearance when the leg is in the 17 degree position.

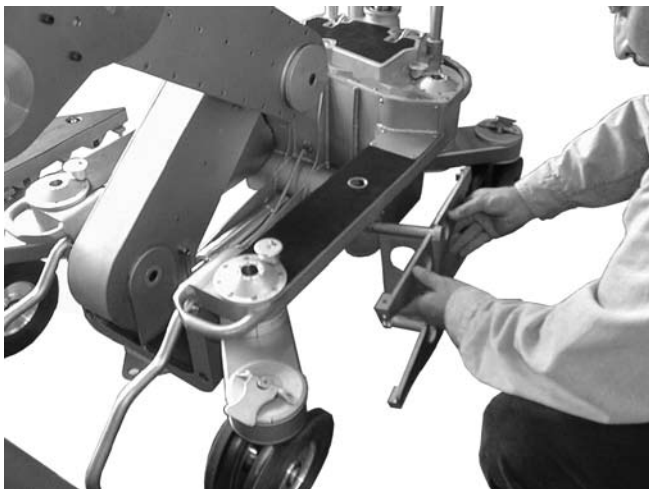
The Operator should be Qualified. For Assistance Please call our 24 hour Customer Service at 1-888-883-6559 or 1-818-764-6726.

9



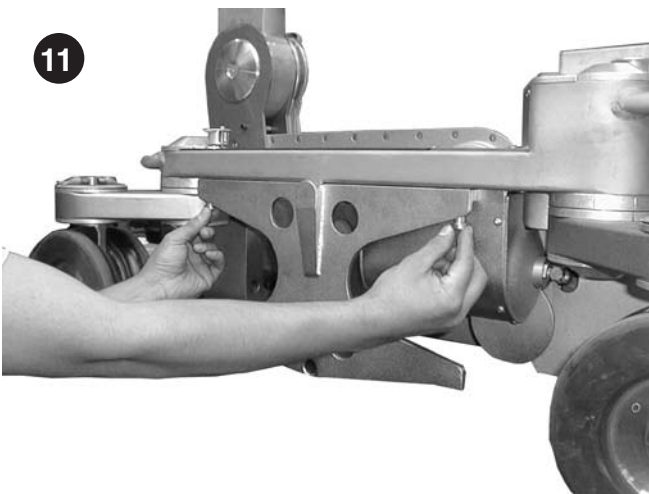
Adjusting the Leg into the 10 Degree position.

10



Star Plate #1686

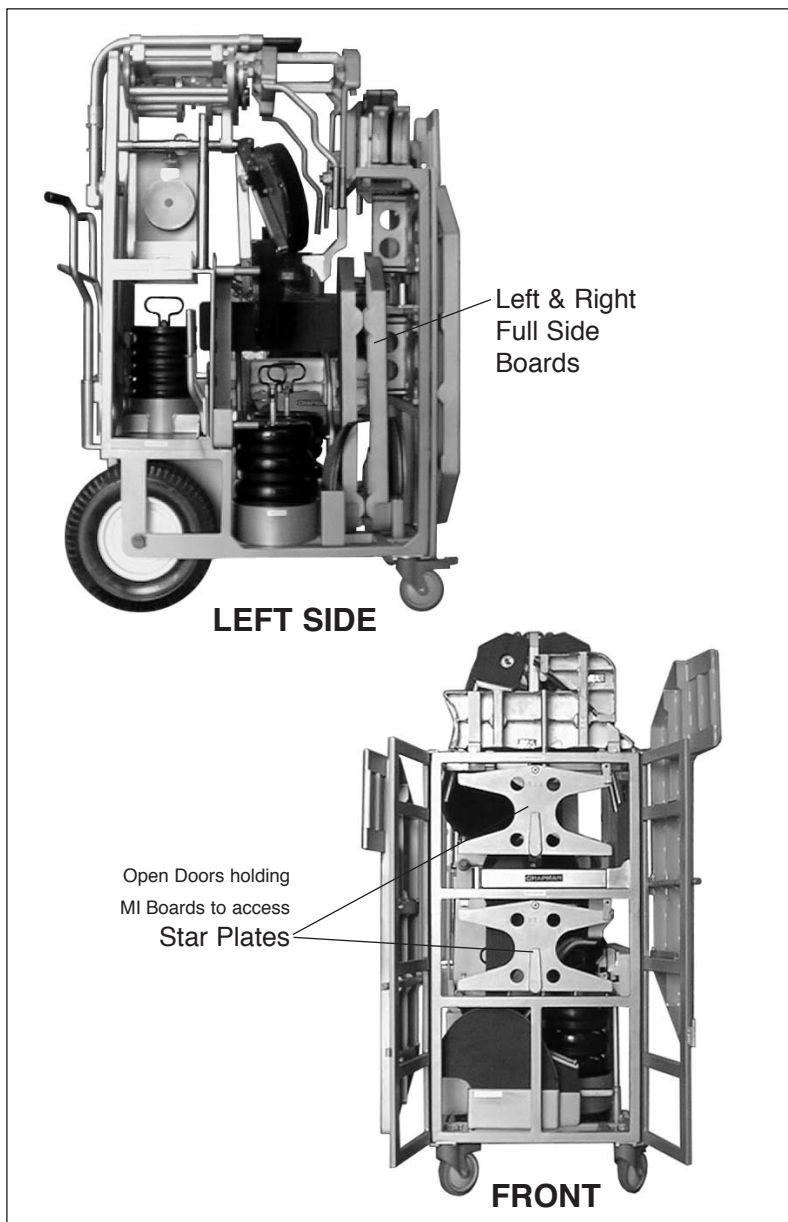
11



Adjust the two Thumb Screws #1650 on Star Plate to take up play.

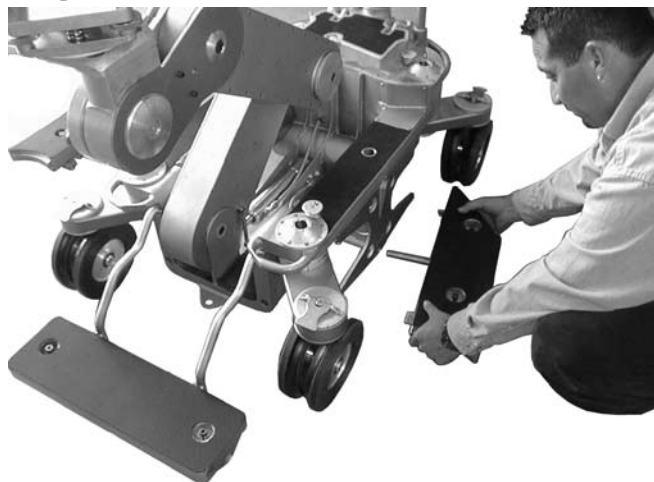
12

The Operator should be Qualified. For Assistance Please call our 24 hour Customer Service at 1-888-883-6559 or 1-818-764-6726.



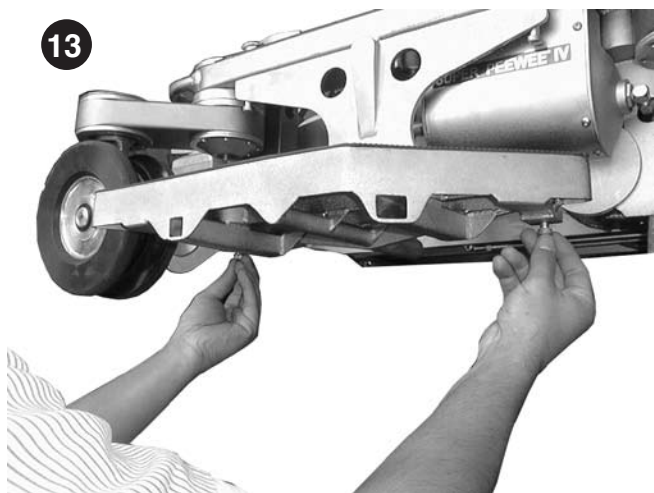
Super PeeWee® IV Attaching Lower Walk-Around

12



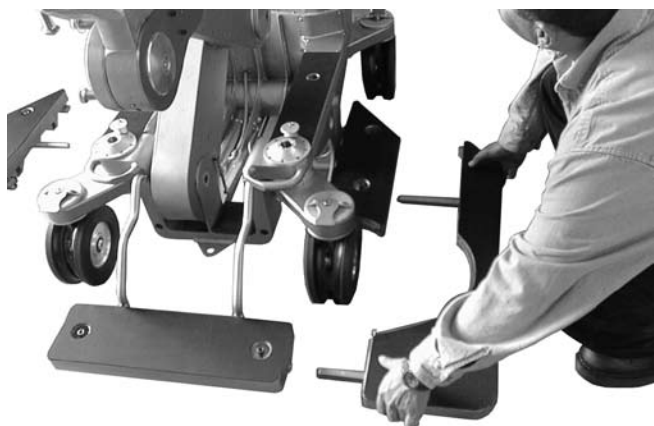
Left Side Board #1672

13



Adjust the two Thumb Screws #1645 on Side Board to take up play.

14

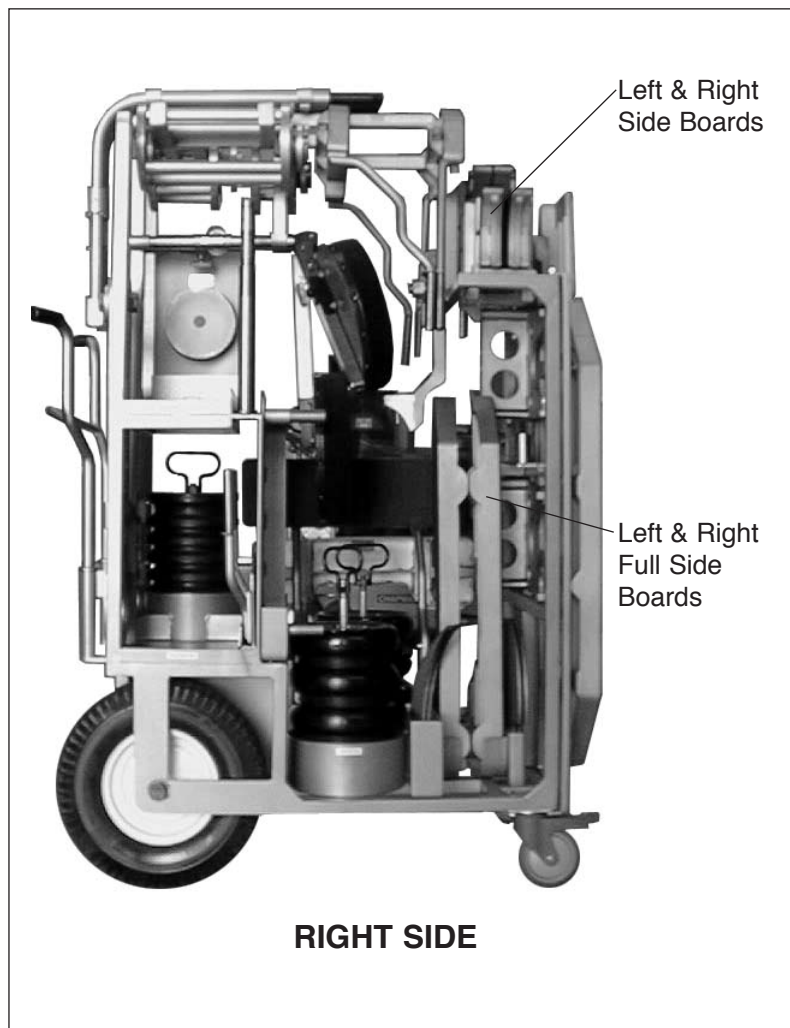


Left Full Side Board #1674

15



Tighten Socket Head Screws #1642



The Operator should be Qualified. For Assistance Please call our 24 hour Customer Service at 1-888-883-6559 or 1-818-764-6726.

© 1999 No part of this manual may be reproduced or electronically transmitted without the written permission of Chapman/Leonard Studio Equipment, Inc.

Revision 12 - 7/2008



Super PeeWee® IV Attaching Lower Walk-Around

16

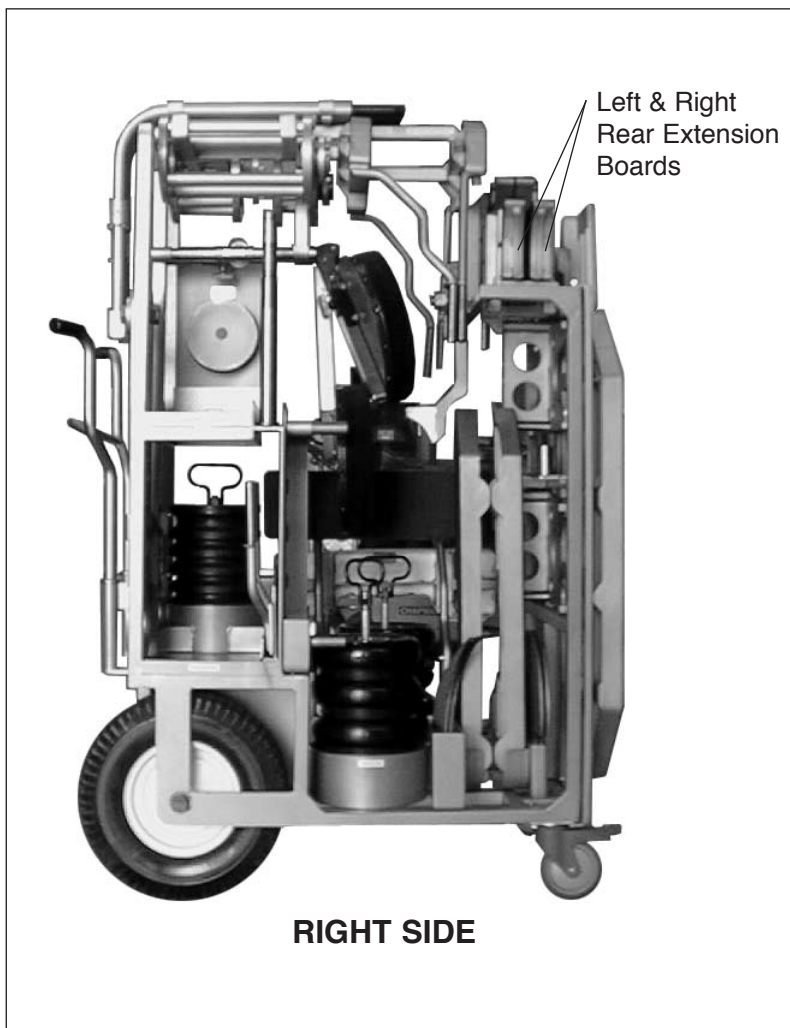


Left Rear Extension Board #1662

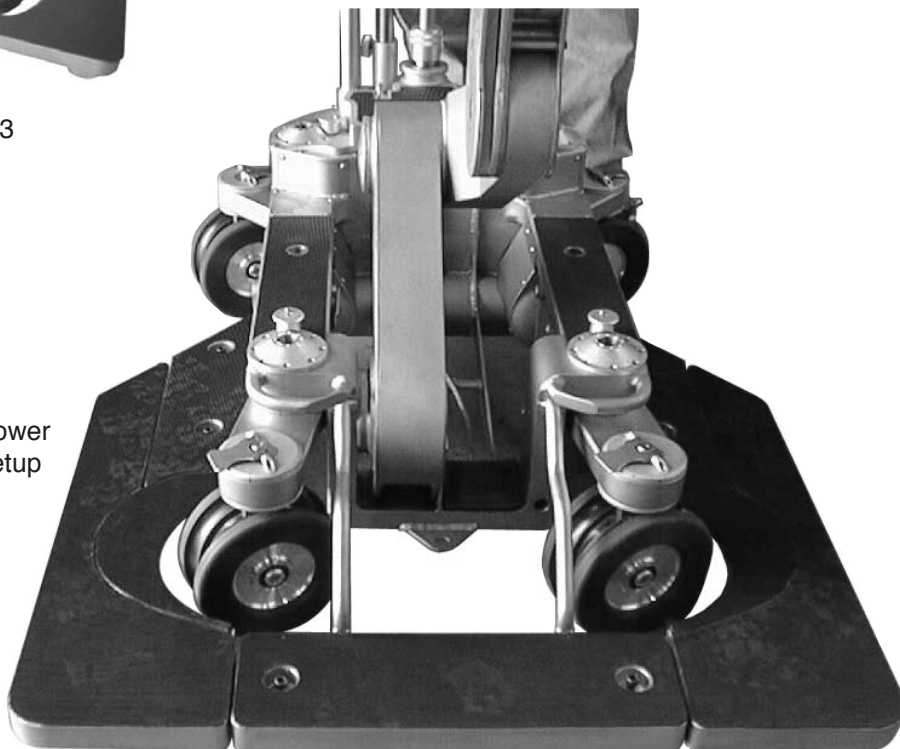
17



Right Rear Extension Board #1663



18 The Complete Lower Walk-Around Setup



Super PeeWee® IV Attaching Walk-Around for Low-Mode



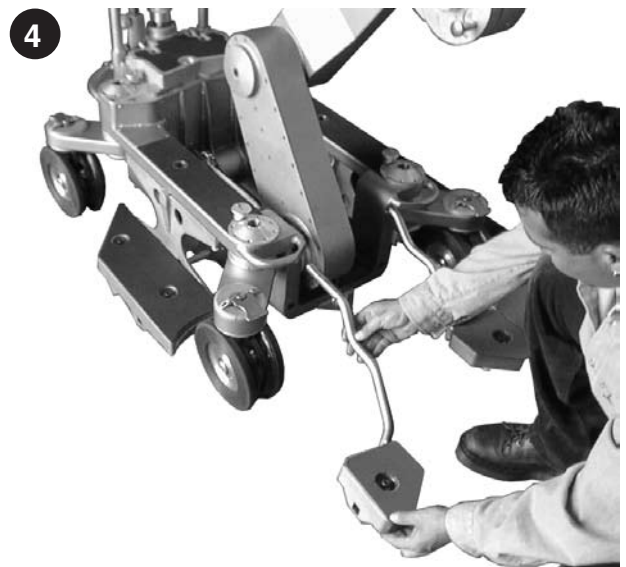
Lower Left Support Board #1679



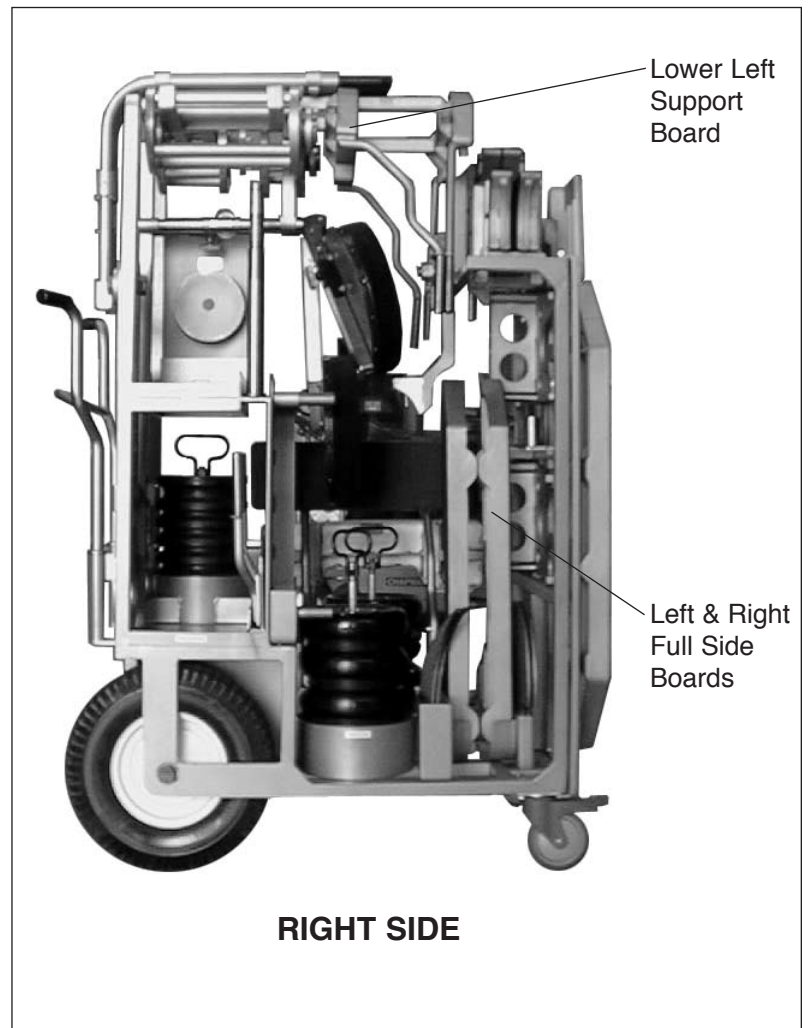
Left Full Side Board #1674



Tighten Socket Head Screws #1642



Lower Right Support Board #1681



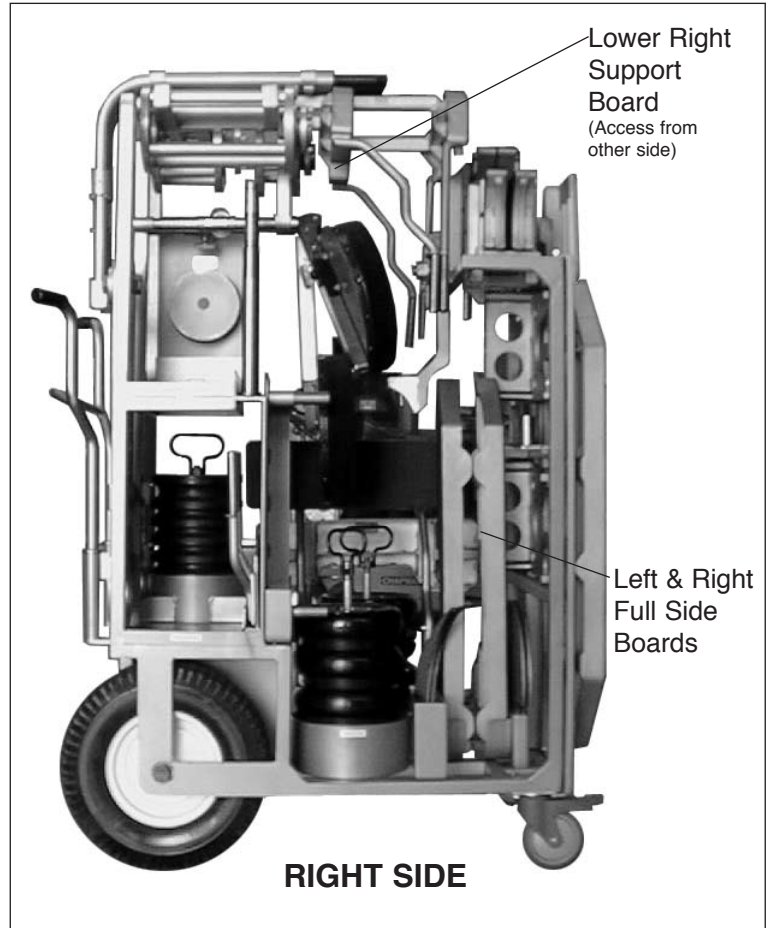
The Operator should be Qualified. For Assistance Please call our 24 hour Customer Service at 1-888-883-6559 or 1-818-764-6726.

Super PeeWee® IV Attaching Walk-Around for Low-Mode

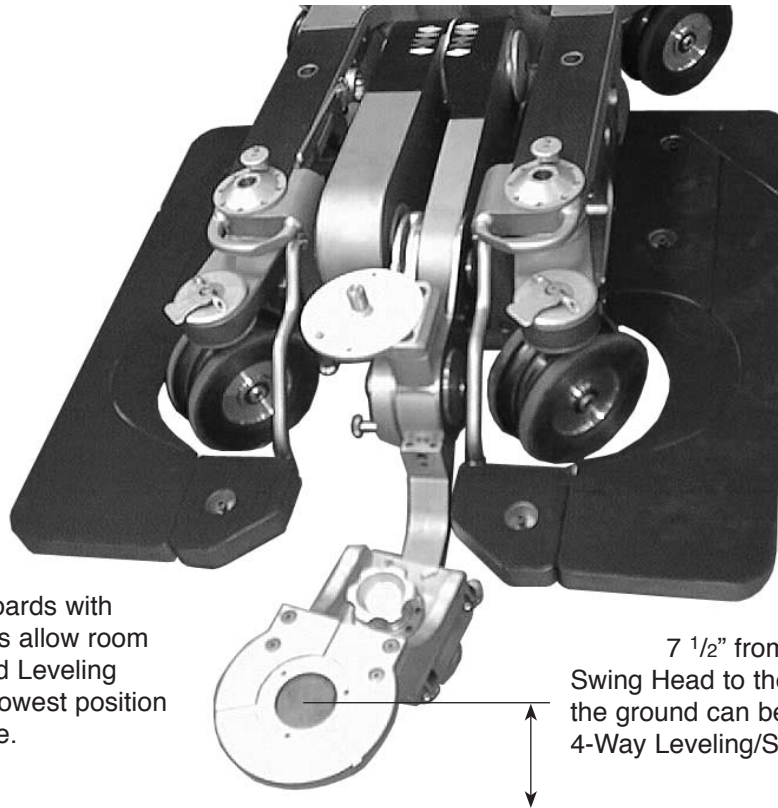
5



Right Full Side Board #1675



6



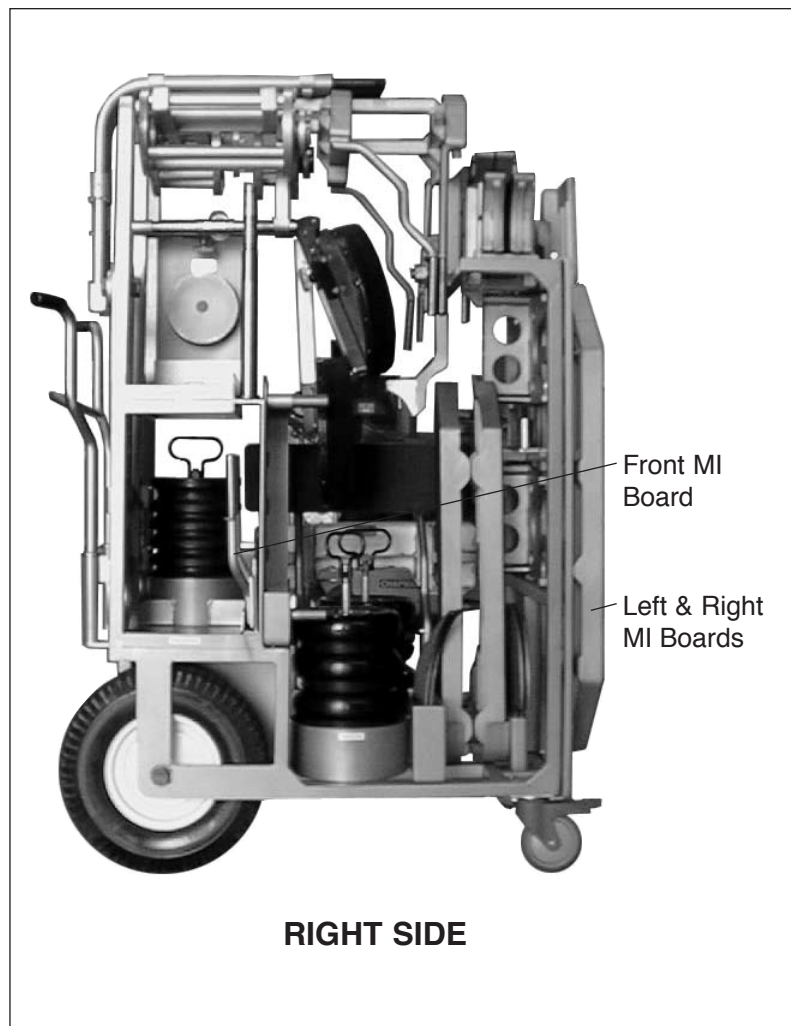
Low Walk-Around Boards with Front Support Boards allow room for the Low Plate and Leveling Head to reach their lowest position in "Drop Down" mode.

7 1/2" from the top of the 4-Way Leveling/Swing Head to the ground. 3 1/2" from the top to the ground can be achieved by using the Flat 4-Way Leveling/Swing Head.

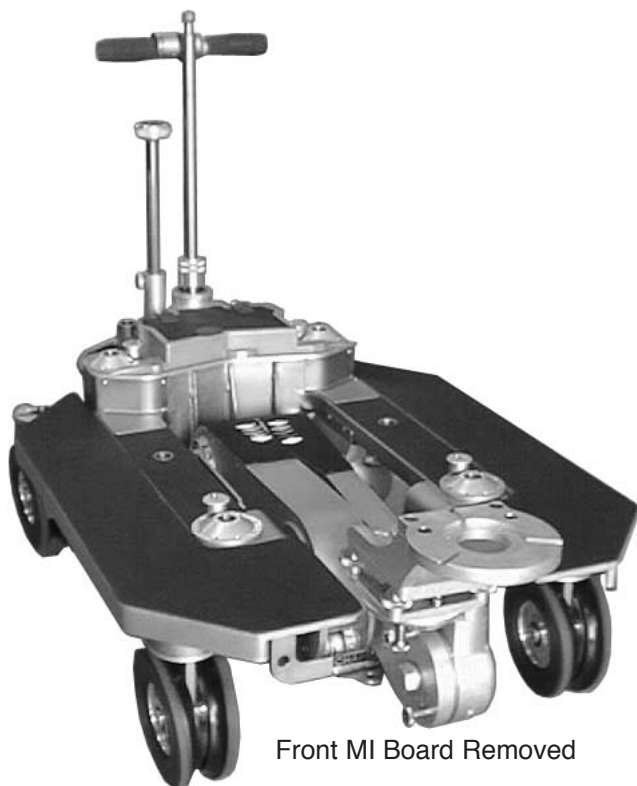
Super PeeWee® IV Attaching MI Boards



Left, Right & Front MI Boards #1653



RIGHT SIDE



Front MI Board Removed

The MI Boards offer Maximum Walk-Around Space while the Dolly profile retains its compact size. The MI Boards do not extend the length or width of the Dolly. When all Legs are in the 44° positions, the MI Boards do not extend beyond the Wheels.

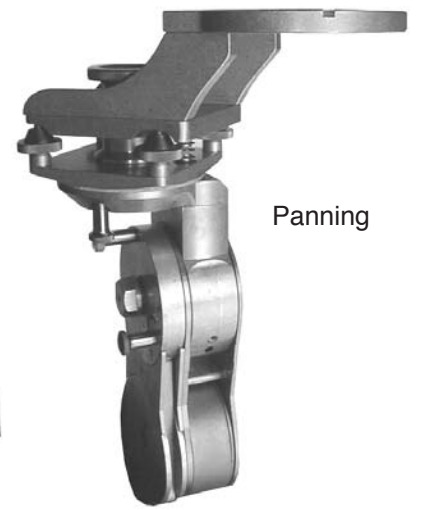
The MI Boards are quick to install and place the Camera Operator further back on the Dolly.

Super PeeWee® IV Basic Configurations

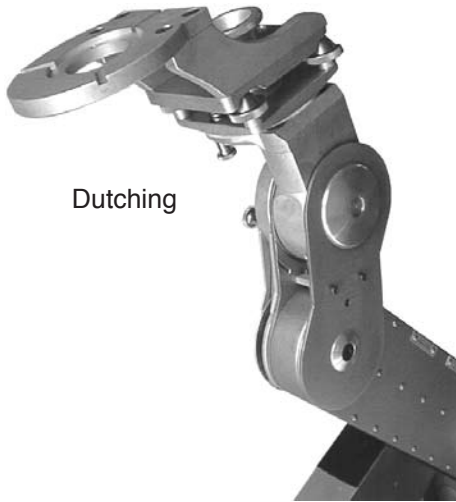


Standard

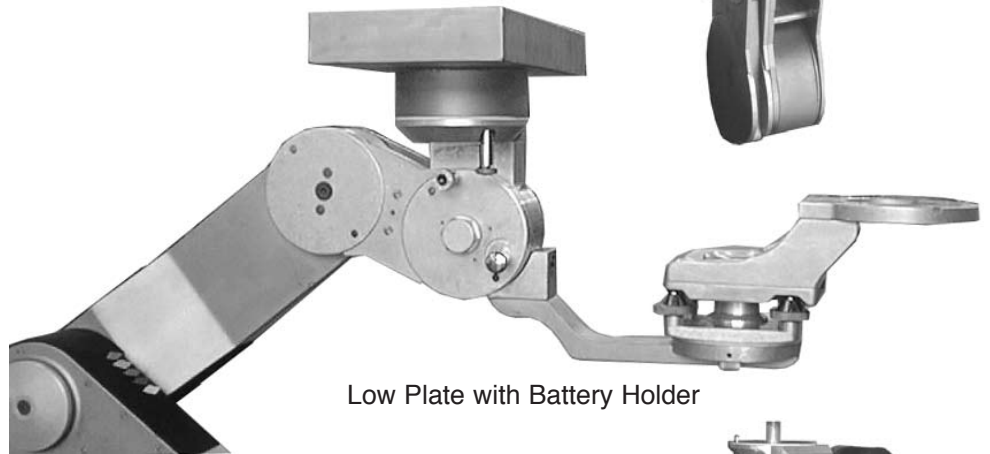
The combined features of the **Universal Head** and the **4-Way Leveling/Swing Head** offer a variety of solutions for achieving the shot you desire.



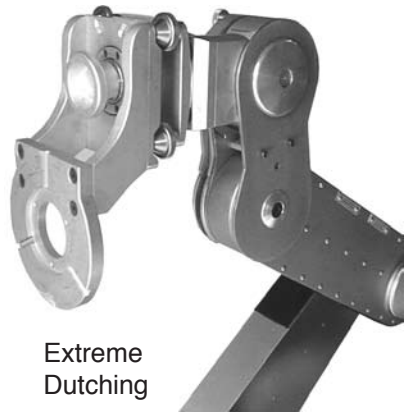
Panning



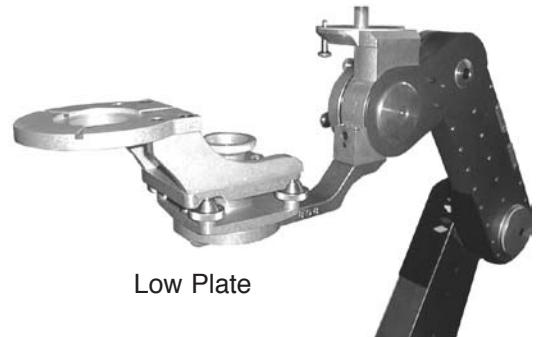
Dutching



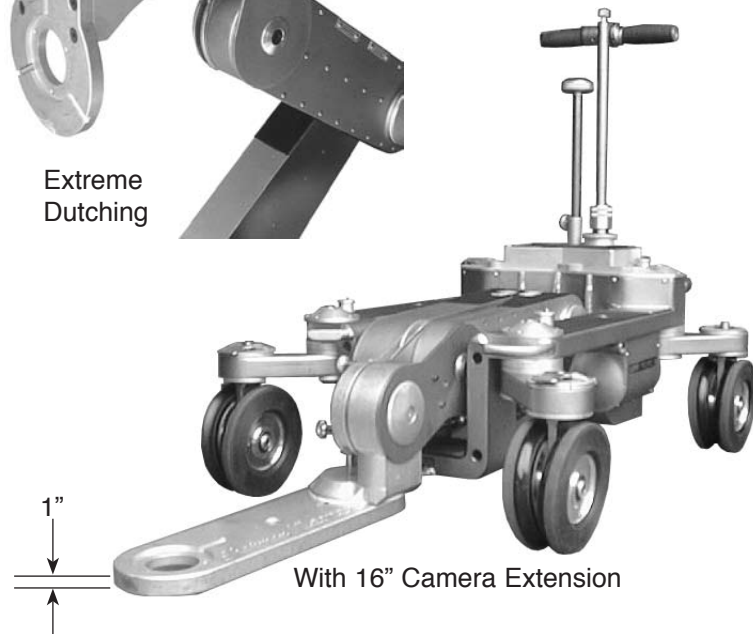
Low Plate with Battery Holder



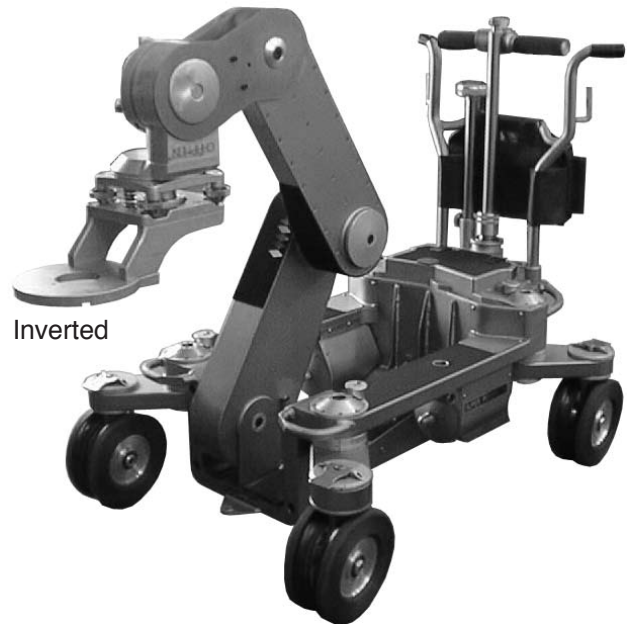
Extreme Dutching



Low Plate



With 16" Camera Extension

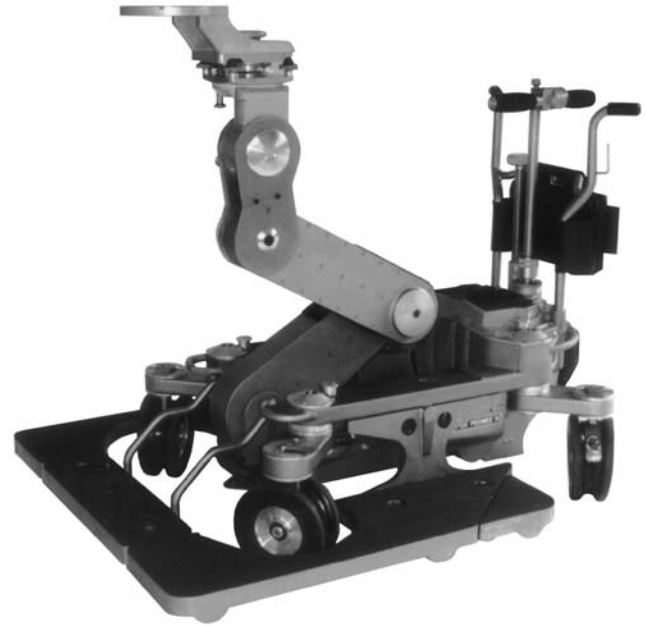


Inverted



Super PeeWee® IV Specifications

Minimum Camera Mount Height (90° Position - Universal Head)	26 ³ / ₈ in.
Maximum Camera Mount Height (90° Position - Universal Head)	59 ¹ / ₂ in.
Vertical Boom Travel (Extended Arm Position)	41 ¹ / ₈ in.
Minimum Camera Mount Height (Low Plate Setup with 4-Way Leveling Head)	7 ¹ / ₂ in.
Maximum Camera Mount Height (Low Plate Setup with 4-Way Leveling Head)	40 ⁵ / ₈ in.
Maximum Load Capacity with Accumulator Charge @ 2400psi	320 lbs.
Maximum Load Capacity with Accumulator Charge @ 2600psi (Use Foot Pump for Added Pressure).	350 lbs.
Maximum Number of Lifts on a Single Charge	5 - 7 Lifts
Carrying Weight	295 lbs.



Low Level Walk-Around Side Boards with the Super PeeWee® IV in Round Mode.

The Super PeeWee® IV is capable of three different steering modes. In **Conventional Mode** the rear wheels pivot as the operator makes a tracking turn. In **Crab Mode** all wheels turn in unison enabling the dolly to be moved in any direction while maintaining the orientation of the camera plane. In **Round Mode** the dolly can turn while remaining in the same spot. The operator can select any mode by twisting the steering handles. Control Pins can be set to limit which modes can be selected during critical moments, ensuring the operator can make transitions with confidence.

The Universal Stop Valve controls arm movement with **smooth feathered stops**. Adjustments to the Universal Stop Valve can be made without tools or the need to remove any covers or access plates. Feathering Levers are located below the Steering Controls within the operator's reach for ease of use.

The arm is a new design with greater **rigidity, smoothness, speed and quietness** of operation. **Five full strokes** of the arm is possible with a single charge.

The Geometry Lever enables reconfiguring the chassis to its various leg positions ensuring **positive tracking** in all situations. Leg positions can be set for a narrow dolly profile to move through doorways or a wide stable platform with seats for cameraman and director. The Super PeeWee® IV can be incorporated into any track setup within minutes.

A variety of **tire choices** give the operator options on flat or rough terrain. Tires can be matched to various track configurations.

The Side Board System provides complete **walk-around-capability** on the dolly in both high and low level set-ups.

The Super PeeWee® IV has a built-in heat control in the hydraulic system to maintain a minimum hydraulic oil temperature of 70°F. This maintains **optimum performance in even the coldest environment**.

The new improved Universal Head is capable of **dutching and panning** into any position,.

The Operator should be Qualified. For Assistance Please call our 24 hour Customer Service at 1-888-883-6559 or 1-818-764-6726.

Super PeeWee® IV Tracks & Setup Strategy

Setup	Front Leg Positions	Rear Leg Positions	Comments
Narrowest Position	0°	0°	Use in Tight Quarters
Pneumatic Tires Narrow	10°	10°	Use in Tight Quarters with Pneumatics
Standard 24 1/2" Track	44°	44°	24 1/2" Track
S Profile	70° (Use a 16" Extension 2 Camera Plate with the Camera mounted in the second hole to position the lens in the center of the Dolly)	70°	Width and Length of Dolly Match (Best Choice for Round Mode)
Widest Leg Position	84°	84°	Most Stable Fits 24 1/2" Track Sideways

Setup	Front Leg Positions	Rear Leg Positions	Comments
3 Point Solid Tires	84°	0°	Most Stable on Rough Ground
3 Point Pneumatic Tires	84°	10°	Most Stable on Rough Ground with Pneumatic Tires
880mm Track	10°	10°	Dolly Sideways Also Allows for Pneumatic Tires
24 1/2" Track	84°	84°	Dolly Sideways (ex. Pool Side Shooting)
PeeWee Position	180°	0°	Most Compact Configuration
PeeWee Position Pneumatic Tires	170°	10°	Most Compact Configuration with Pneumatics

All Possible	Front Leg Positions	Rear Leg Positions	Comments
↓	0°	0°	Rear Leg Positions are compatible with all Front Leg Positions
	10°	10°	
	44°	44°	
	70°	70°	
	84°	84°	
	170°	170°	
	180°		Caution! Ascertain Safety in Movement under Controlled Conditions (Practice Run)



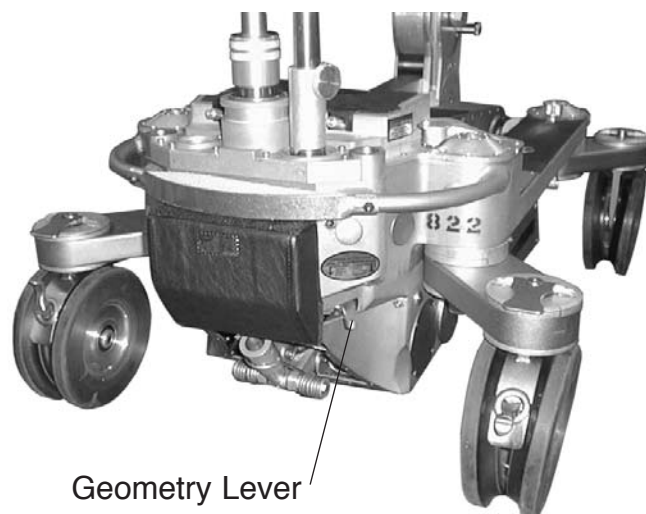
Super PeeWee® IV Geometry Lever

The Geometry Lever changes the angles of wheel orientations to each other when special configurations are chosen. This allows positive tracking of the wheels in all situations.

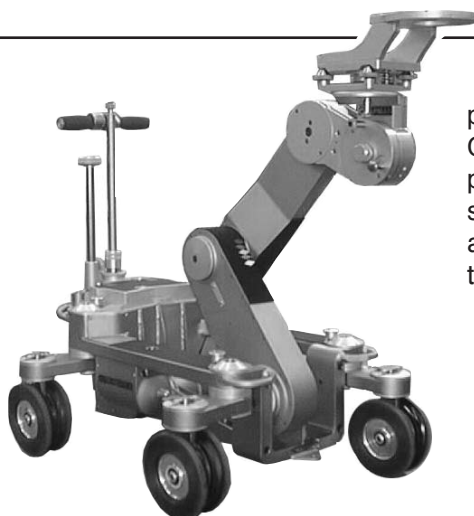
The lever has two positions. Before the Geometry Lever is moved, the transmission must first be shifted into the Crab Mode. When the front wheels are in the 0° or 10° positions, the Geometry Lever must be moved to the left toward the center line of the Dolly (Inboard). When the front wheels are at any other position, the Geometry Lever must be moved to the right (Outboard).

A sticker is mounted near the Geometry Lever as a reminder.

Refer to the chart below for more details.

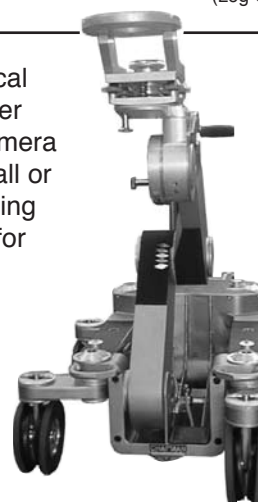


Setup	Leg Positions	Geometry Lever	Comments
880mm Track	10° on All Legs	- Lever Inboard	Dolly Sideways
Standard Track	44° on All Legs	- Lever Outboard	24 1/2" Track
Narrow Profile	0° on All Legs	- Lever Inboard	Through Doorways
3 Point Profile	84° Front Legs 0° Rear Legs (Standard Tires) 10° Rear Legs (Pneumatic Tires)	- Lever Outboard	Most Stable
S Profile	70° on All Legs	- Lever Outboard	Width and Length of Dolly match (Best in Crab Mode)
Compact Profile	180° Front Legs (Standard Tires) 170° Front Legs (Pneumatic Tires) 0° Rear Legs (Standard Tires) 10° Rear Legs (Pneumatic Tires)	- Lever Outboard	Smallest Foot Print
Wall Hugger	84° Right Legs 0° Left Legs	-Lever Outboard	Asymmetrical Crab & Round Mode Only (Leg Orientations can be reversed)



The Asymmetrical profile of the Wall Hugger Configuration allows camera placement close to a wall or structure while maintaining a more stable platform for the Operator.

Wall Hugger Configuration

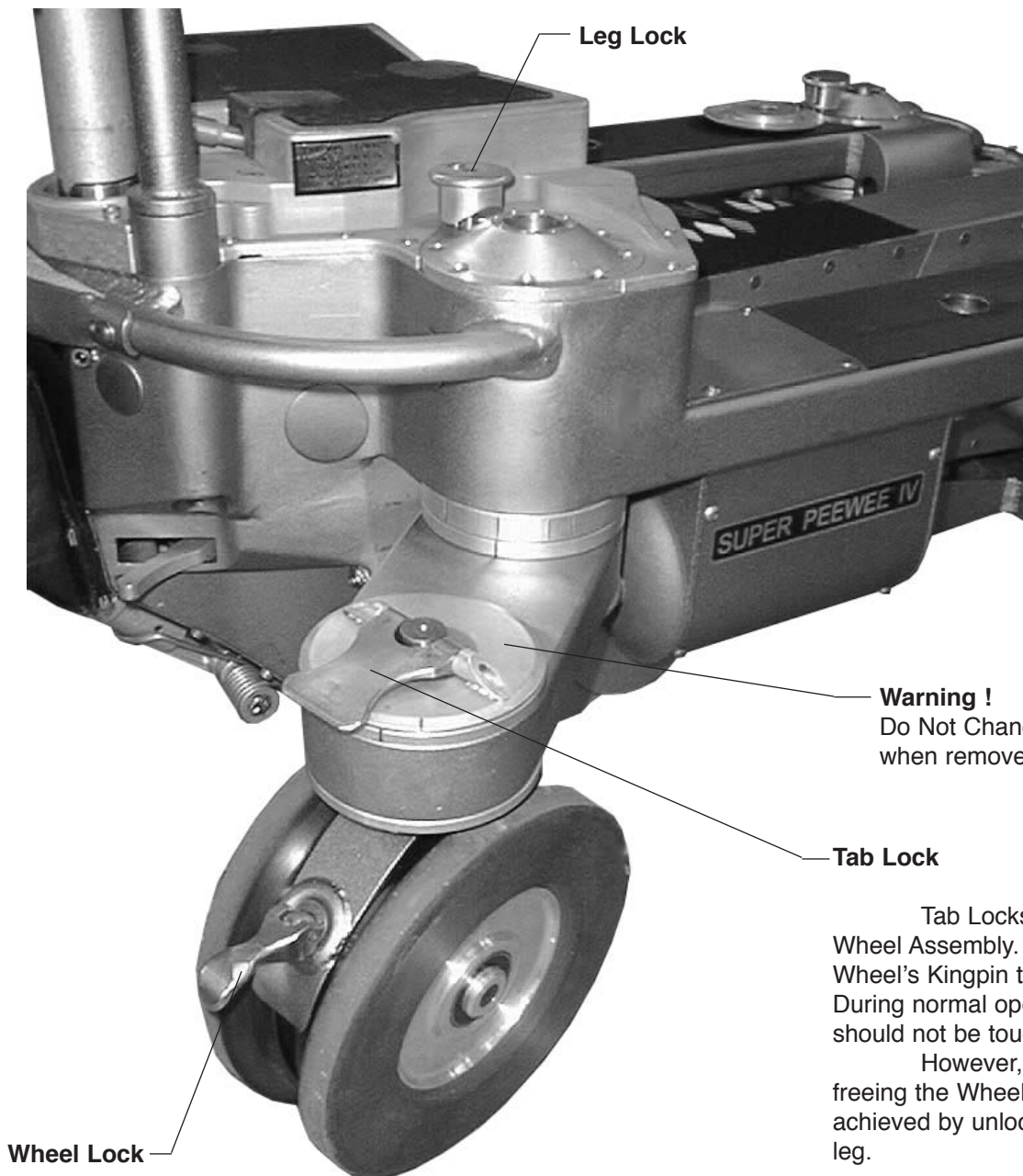


The Operator should be Qualified. For Assistance Please call our 24 hour Customer Service at 1-888-883-6559 or 1-818-764-6726.

Super PeeWee® IV Leg Locks & Wheel Locks

Leg Locks secure the Dolly in the Wheel configurations that you choose. The Leg Locks at the top of each of the four Legs are spring loaded to snap into position. Pull up on the Leg Lock Cap and rotate a few degrees. This will keep the Leg Lock disengaged while you adjust the wheel alignment for that Leg. Turn the wheel in the direction you want to move the Leg and gently push until the Leg Alignment Marks line up. Return to the Leg Lock Cap and rotate back a few degrees until the Spring Loaded Socket Head pops through the hole in the Cap. After you are satisfied with the alignment of the Legs, push down on each Cap to be sure it is seated into its locked mode. This insures that all four wheel alignments match.

When operating on curved track, release diagonally opposite Leg Lock Pins to allow these legs to articulate with the requirements of the track. Do not unlock Leg Lock Pins that are directly opposite each other (both front or both rear). This will cause the Dolly to lose stability. Excessive speed on the track could result in a derailment.



Weighting the Dolly on the inside of a turn helps offset the centrifugal force effect. Remember to ascertain safety of movement under controlled conditions.

Warning !
Do Not Change Cap Positions
when removed for cleaning.

Tab Lock

Tab Locks are located on top of each Wheel Assembly. These are used to lock the Wheel's Kingpin to the Steering System. During normal operation these Tab Locks should not be touched.

However, when using curved track, freeing the Wheels to follow the track is achieved by unlocking the Tab Lock on each leg.

Wheel Lock

Wheel Locks on each of the rear wheels hold the Dolly stationary between planned moves. The Wheel Locks are not intended for stopping the Dolly while in motion. The Super PeeWee® IV should always be held in place with Blocks or Wheel Chocks when on any kind of a slope.

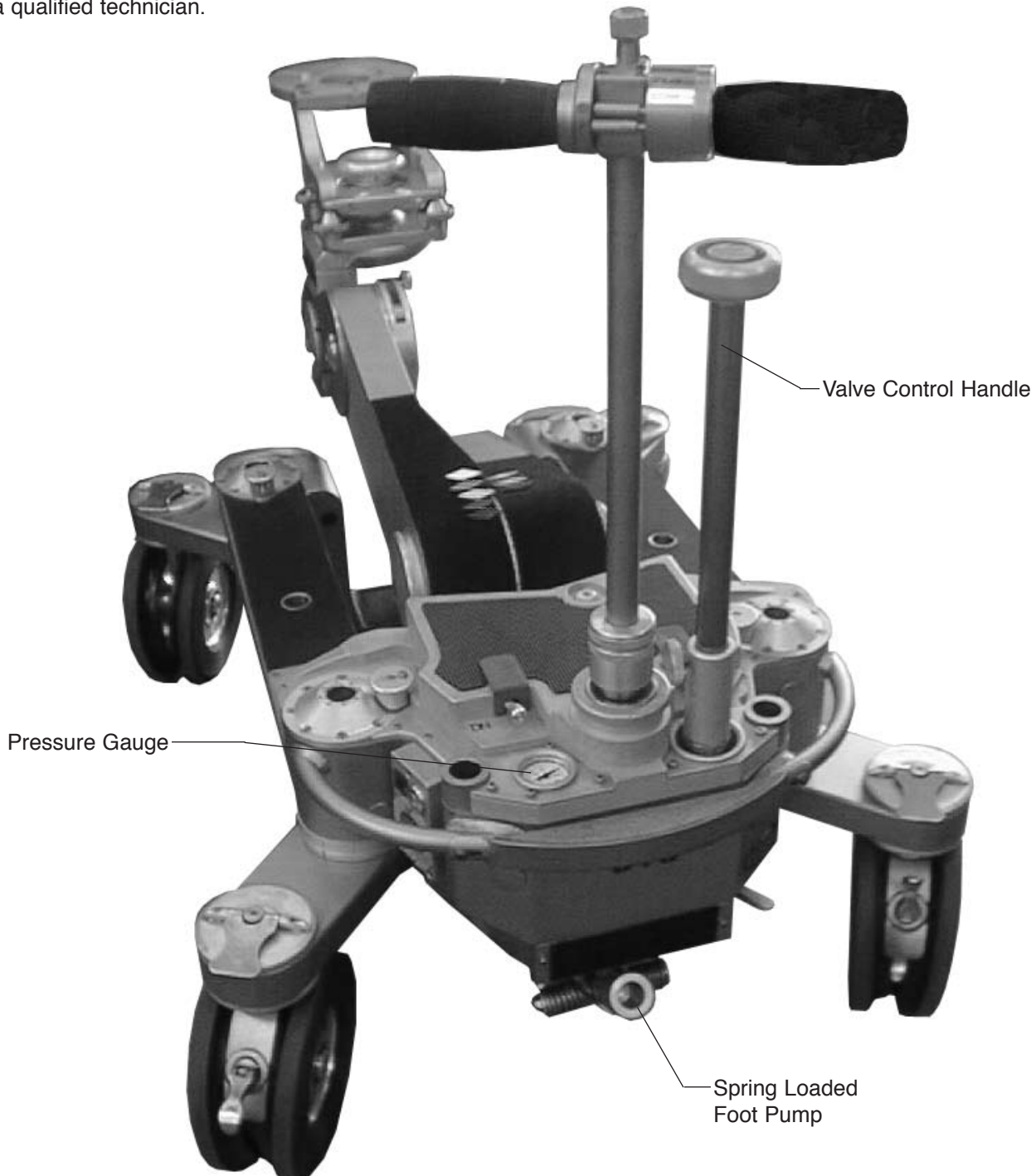
Super PeeWee® IV Valve Control & Gauge

The Valve Control regulates the movement of the Arm. A fully charged system will read 2400 psi on the Pressure Gauge. This is enough pressure to enable 5 to 7 full stroke lifts of the payload (camera). Total Payload = 320 lbs. @ 2400 psi. As a safety feature the Relief Valve will open automatically at 2700 psi.

Raising the pressure to 2600 psi (use the Foot Pump) will increase the payload to 350 lbs. This is the upper limit of the Hydraulic System and should not be exceeded. As a Safety Feature, the Pressure Relief Valve will open automatically at 2700 psi. The Electronic Pump can be set to 2600 psi by Factory Reset; but this is not recommended for long term usage.

The Valve Control Handle has a 2 Detent Control System. This can be felt as the handle is rotated and gives the Grip more control over the Arm as it transitions between up and down movements. The Off position is between the Detents.

A special Single Detent Control System is available, but must be installed at the Chapman/Leonard facility or by a qualified technician.



The Operator should be Qualified. For Assistance Please call our 24 hour Customer Service at 1-888-883-6559 or 1-818-764-6726.

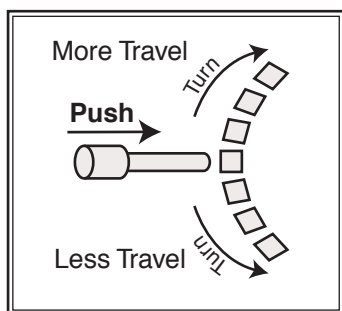
© 1999 No part of this manual may be reproduced or electronically transmitted without the written permission of Chapman/Leonard Studio Equipment, Inc.

Super PeeWee® IV Feathering Levers

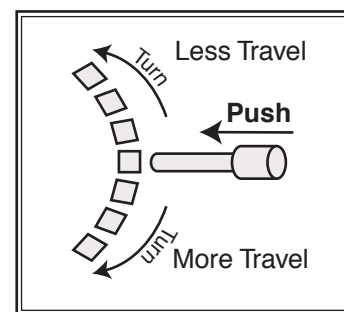
The **Universal Stop Valve** regulates the speed and smoothness of the Arm's deceleration to a selected Stop. The Feathering Levers are located to either side of the Steering Handle. They are used for fine tuning the operation of the Universal Stop Valve so that the Arm moves to the upper and lower Stops that the operator has designated, instead of the factory settings. This also insures that the Arm does not "Bottom-Out" when lowered to the Chassis.

The **UP Feathering Lever** is located to the right (standing at the rear of the Dolly). Pushing the Lever in to engage, then moving the Lever **Back** (ratcheting) allows the Arm to travel further up (Maximum Arm Height). Moving the Lever **Forward** (ratcheting) limits the Arm travel height.

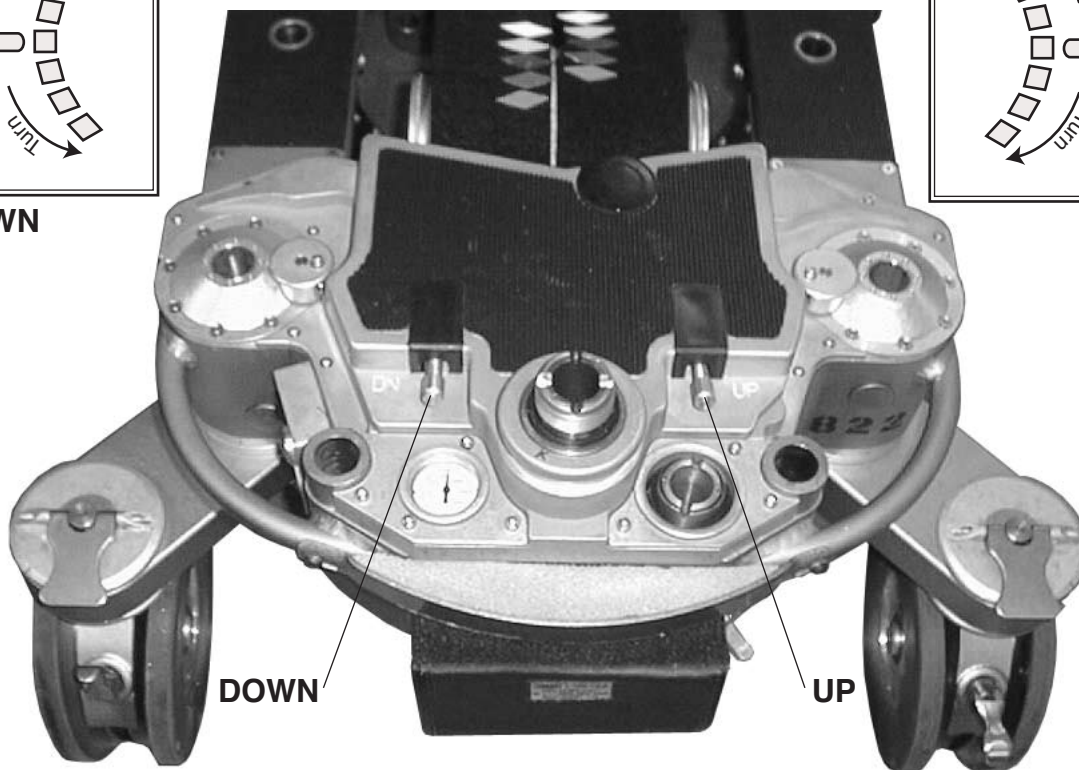
The **DOWN Feathering Lever** is located to the left. Pushing the Lever in to engage, then moving the Lever **Back** (ratcheting) limits the Arm movements lowest position. Moving the Lever **Forward** (ratcheting) allows the Arm to travel to a lower position (Minimum Camera Height).



DOWN



UP



Looking down while standing at the rear of the Dolly.
Control Valve Handle and Steering Handle removed for clarity.

When making Stop Adjustments:

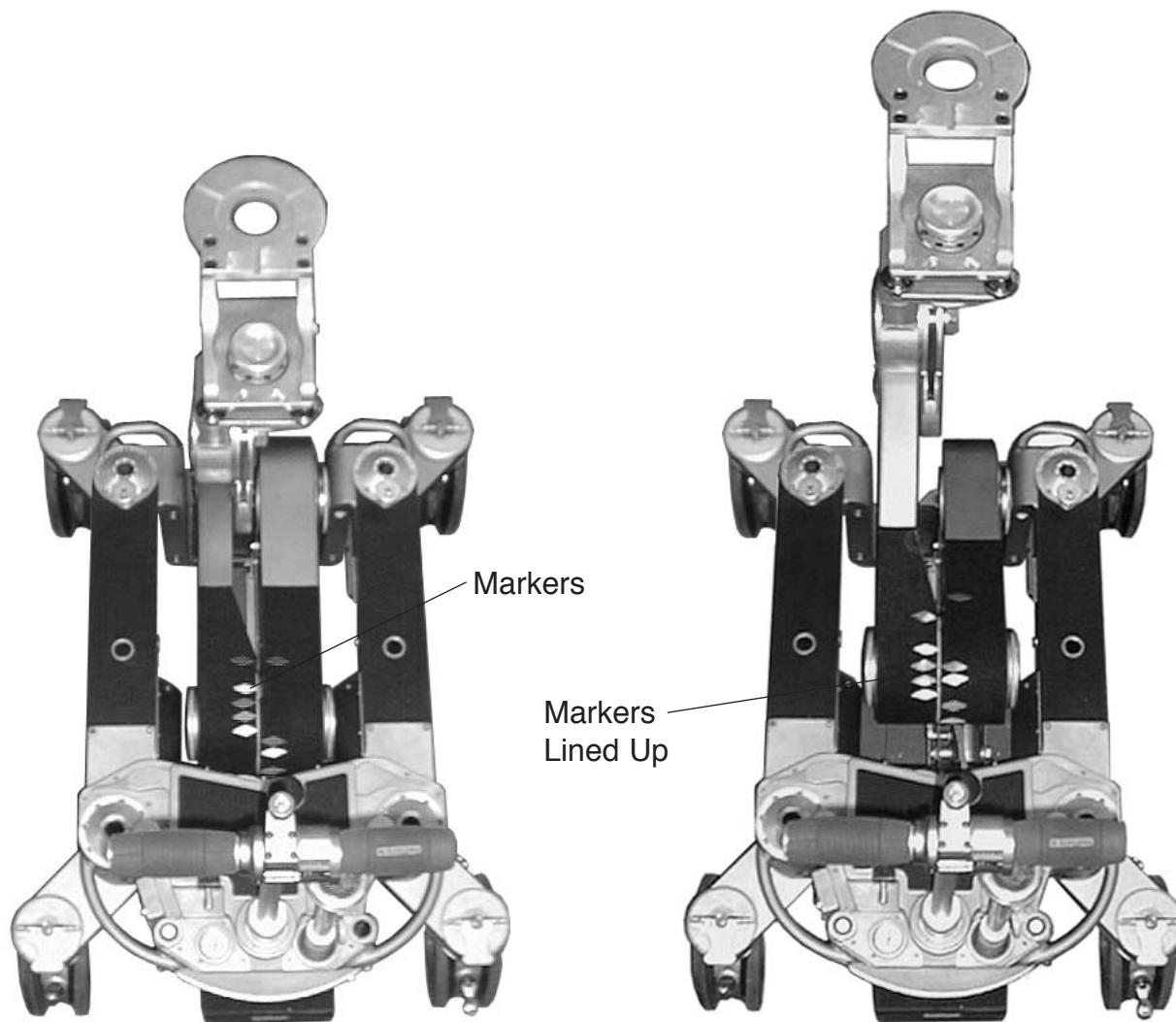
1. Be certain the Arm is well beyond the desired Stop point. Then turn the Lever in beyond the desired Stop point.
2. Open the Main Valve Control to approach the desired Stop.
3. Open Lever to achieve movement until the desired Stop point is reached.
4. Close the Main Valve Control.

For rapid deceleration beyond the normal for this system, the Dolly Grip can use the Stop Valve to initiate the Stop, then finalize the Stop with the Main Control Valve.

Super PeeWee® IV Arm Movement Markers

Colored Velcro Markers attach to the Arm (Upper and Lower). They can be repositioned to different locations on the Arm as a visual aid in repeating an Arm movement.

The Arm travels on a vertical line, eliminating focus problems on extreme tight shots. Precise repetitive Stops are possible at all speeds.



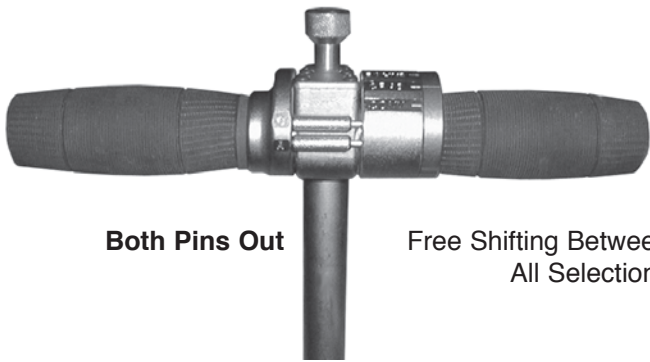
The Operator should be Qualified. For Assistance Please call our 24 hour Customer Service at 1-888-883-6559 or 1-818-764-6726.

© 1999 No part of this manual may be reproduced or electronically transmitted without the written permission of Chapman/Leonard Studio Equipment, Inc.



Revision 12 - 7/2008

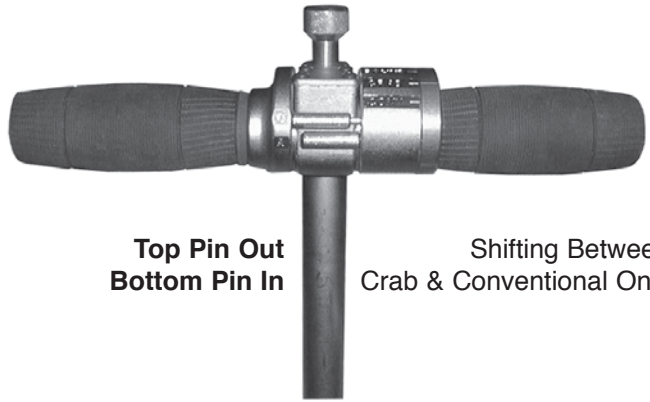
Super PeeWee® IV Steering Control Pins



Both Pins Out

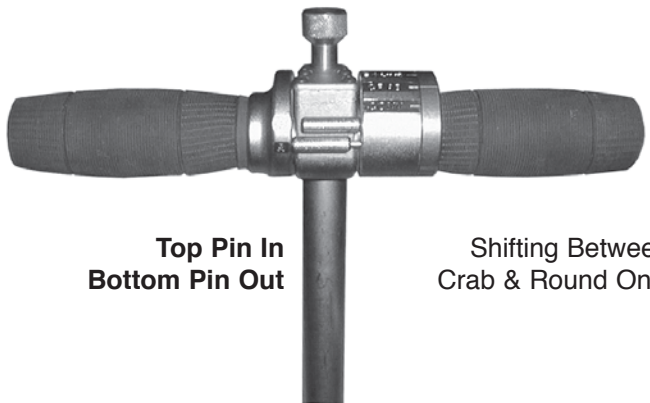
Free Shifting Between All Selections

The Super PeeWee® IV is capable of three different steering modes. In **Conventional** Mode the rear wheels pivot as the operator makes a tracking turn. In **Crab** Mode all wheels turn in unison enabling the dolly to be moved in any direction while maintaining the orientation of the camera plane. In **Round** Mode the Dolly can turn while remaining in the same spot. The operator can select any mode by twisting the Steering Handles. Control Pins can be set to limit which modes can be selected during critical moments, ensuring the operator can make transitions with confidence.



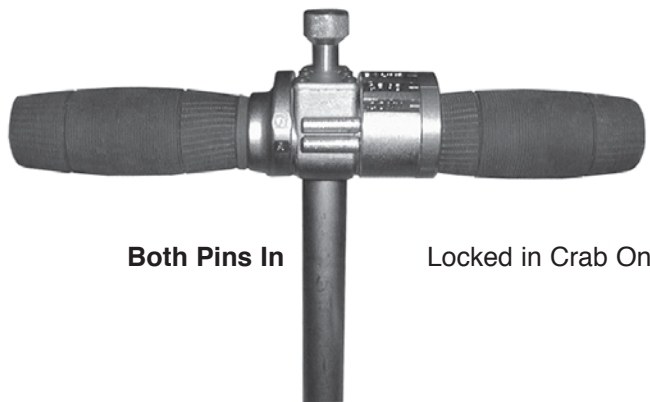
**Top Pin Out
Bottom Pin In**

Shifting Between Crab & Conventional Only



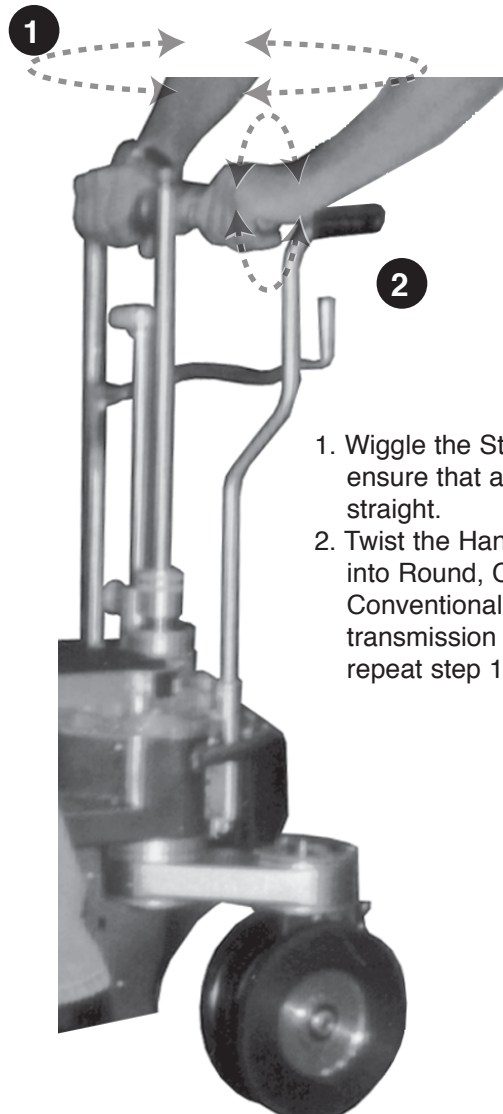
**Top Pin In
Bottom Pin Out**

Shifting Between Crab & Round Only



Both Pins In

Locked in Crab Only



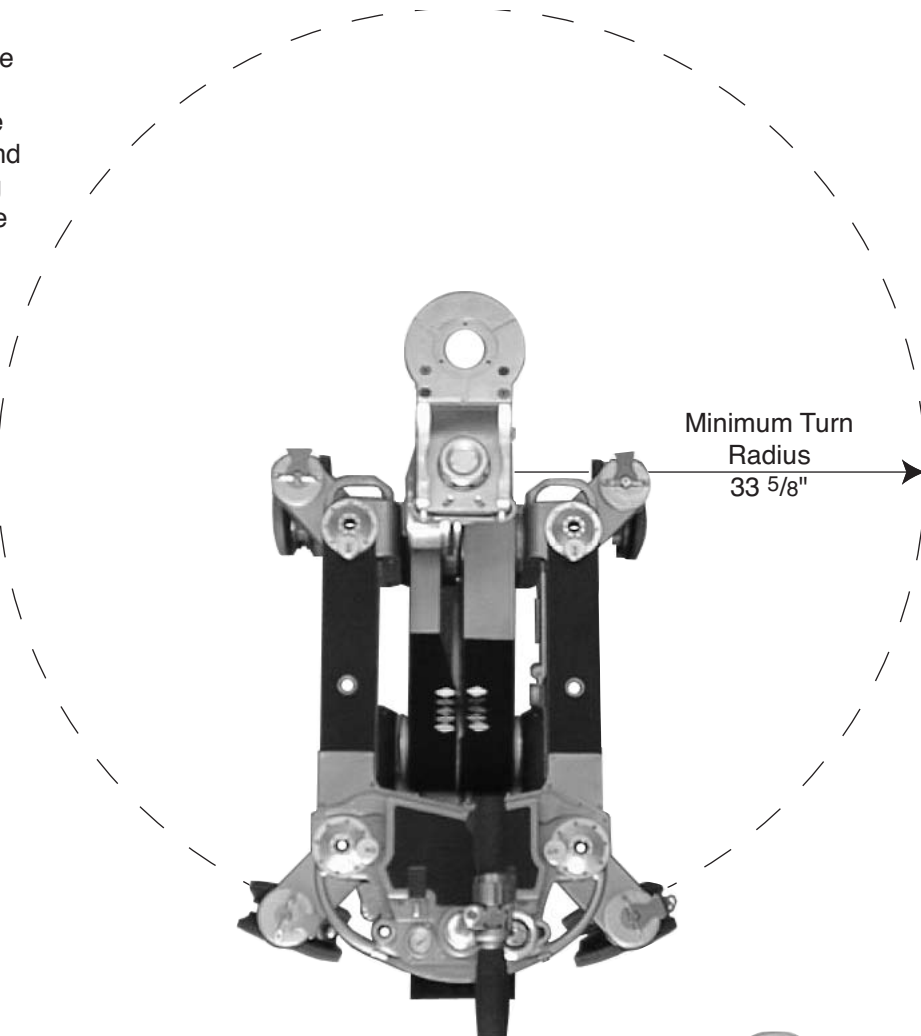
1. Wiggle the Steering Column to ensure that all four wheels are straight.
2. Twist the Handle gently to shift into Round, Crab or Conventional Modes. If the transmission still won't shift, repeat step 1.

When attaching the Steering Column to the Dolly, the Lockdown Collar should be tightened by hand only. **Never use pliers or channel locks on any part of the Dolly.**

Super PeeWee® IV Shifting/Steering Modes

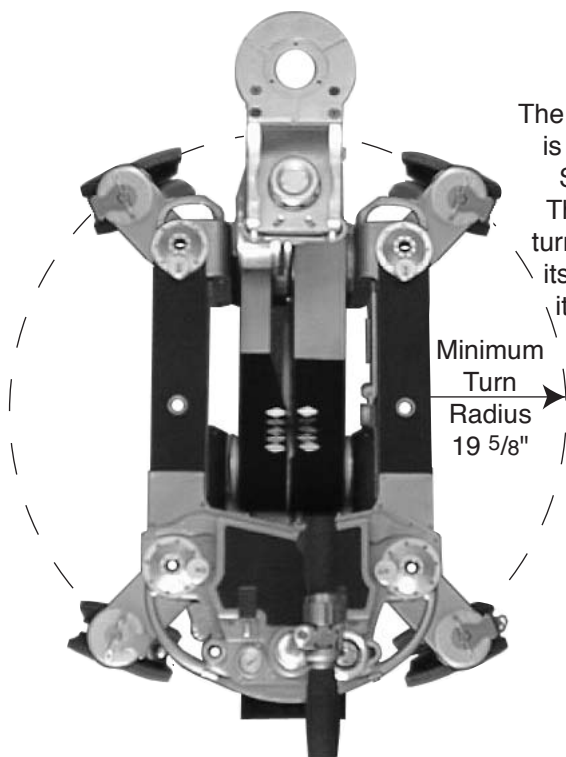
The Conventional Steering Mode is rear controlled steering.

The Super PeeWee® IV can be shifted smoothly into either Round or Crab Steering Modes during the course of a shot, even while moving. Steering Control Pins (see page 26) aid the Grip in making the desired transitions with confidence.



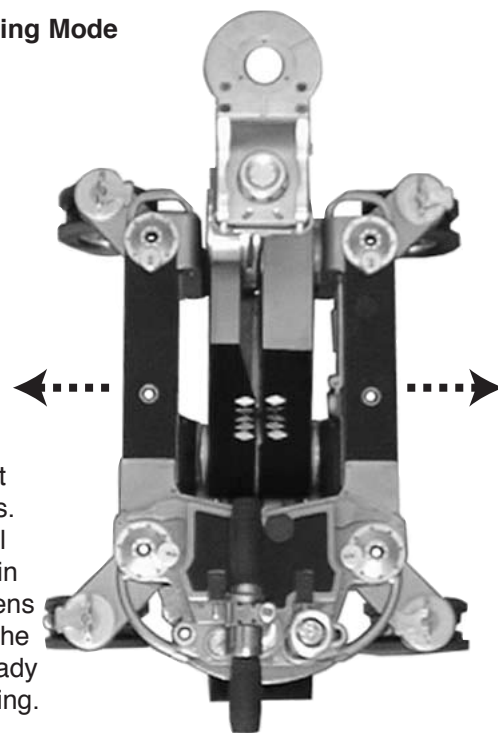
Conventional Steering Mode

The Round Steering Mode is a new feature of the Super PeeWee® IV. The Dolly can now be turned completely within its own space, making it an ideal choice for tight locations.



Round Steering Mode

The Crab Steering Mode is the selection used most often by experienced Grips. It gives them more control moving the Dolly instantly in any direction. The camera lens maintains its orientation to the picture plane ensuring a steady shot without unwanted panning.

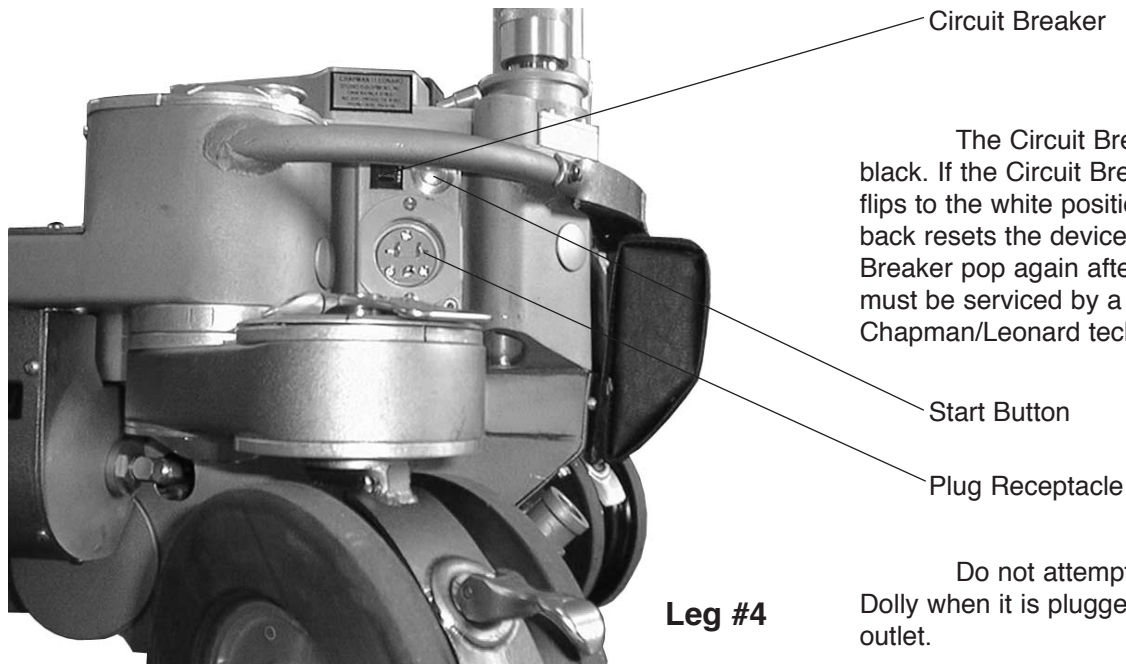


Crab Steering Mode

The Operator should be Qualified. For Assistance Please call our 24 hour Customer Service at 1-888-883-6559 or 1-818-764-6726.

Super PeeWee® IV Charging the Dolly - Electronics

A Female Plug can be inserted into the AC Receptacle (110v or 220v) located at the rear of the Dolly. Push the Start Button to begin automatic charging. The unit will stop charging when the Dolly's Hydraulic System is fully charged.

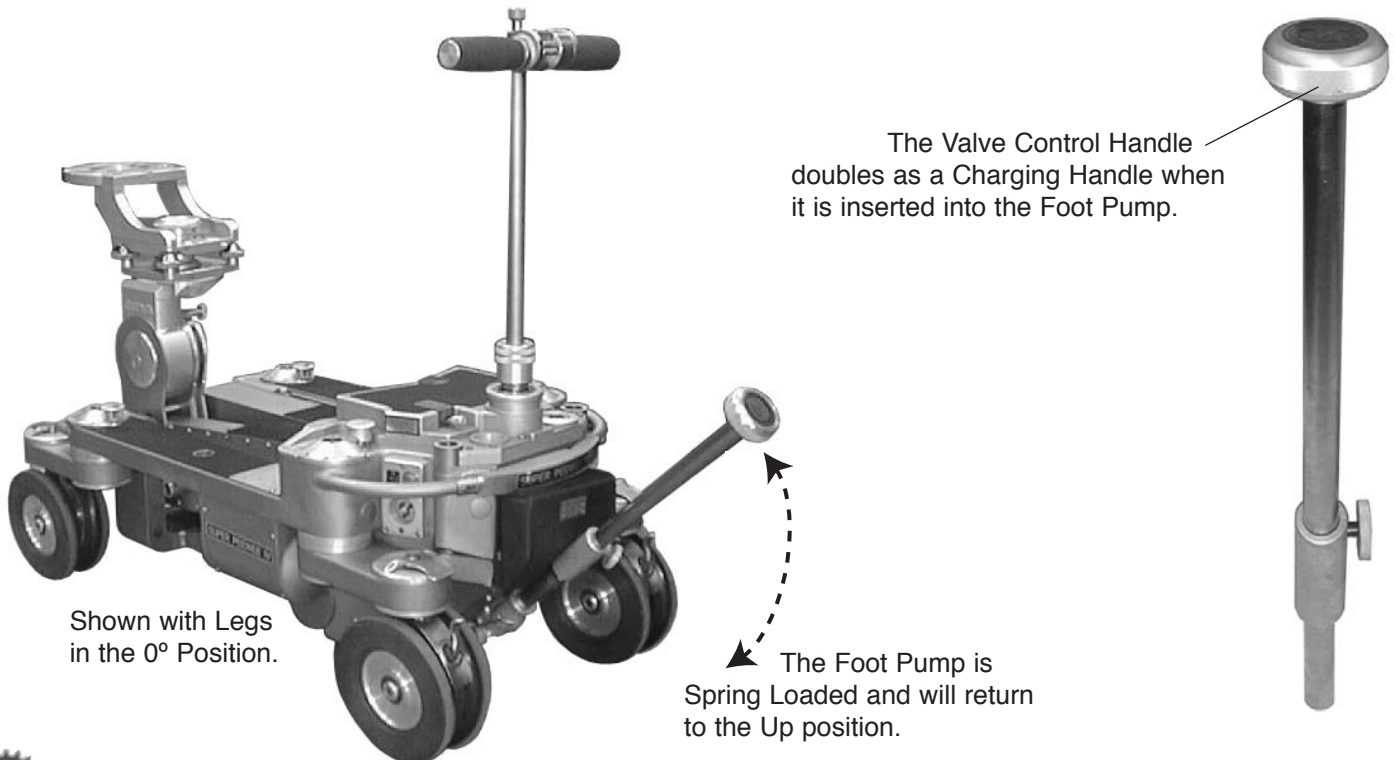


The Circuit Breaker Button is normally black. If the Circuit Breaker trips, the button flips to the white position. Pushing the button back resets the device. Should the Circuit Breaker pop again after being reset, the Dolly must be serviced by a trained, authorized Chapman/Leonard technician.

Do not attempt maintenance on the Dolly when it is plugged into an electrical outlet.

Super PeeWee® IV Charging the Dolly - Manual

Insert the Valve Control Handle into the Foot Pump Receptacle. Approximately 60 full strokes are needed to fully charge the Dolly's system to 2400 psi. This pressurizes the nitrogen in the accumulators which in turn moves the oil through the Hydraulic System.



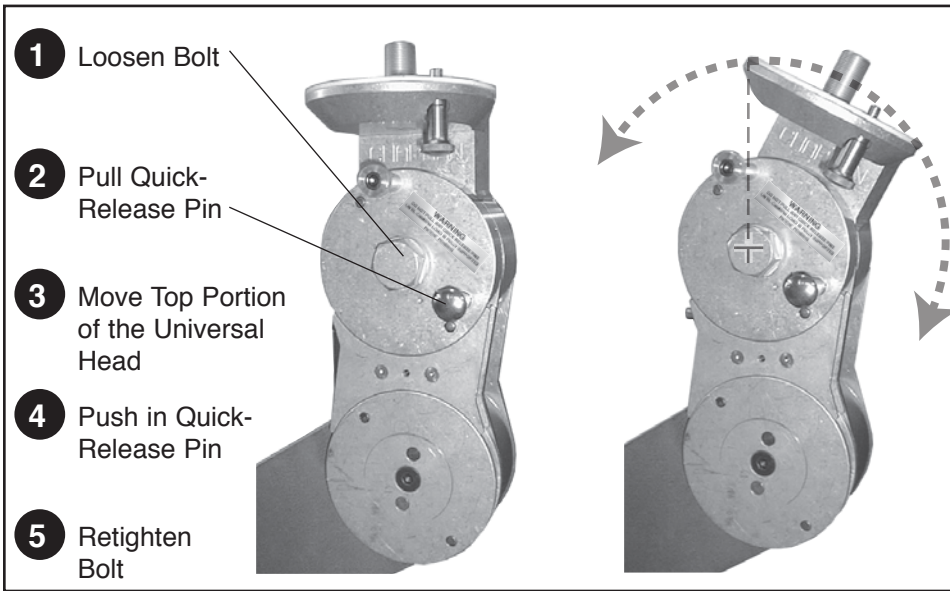
Shown with Legs in the 0° Position.

The Foot Pump is Spring Loaded and will return to the Up position.

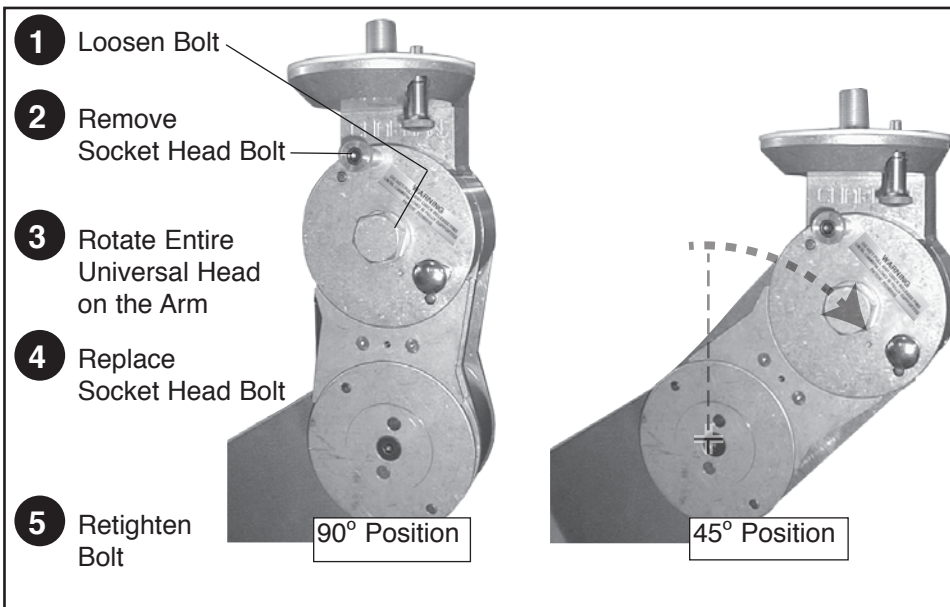
Super PeeWee® IV Universal Head Features

Warning!

Control the Weight of the Camera before releasing Pins to change position.

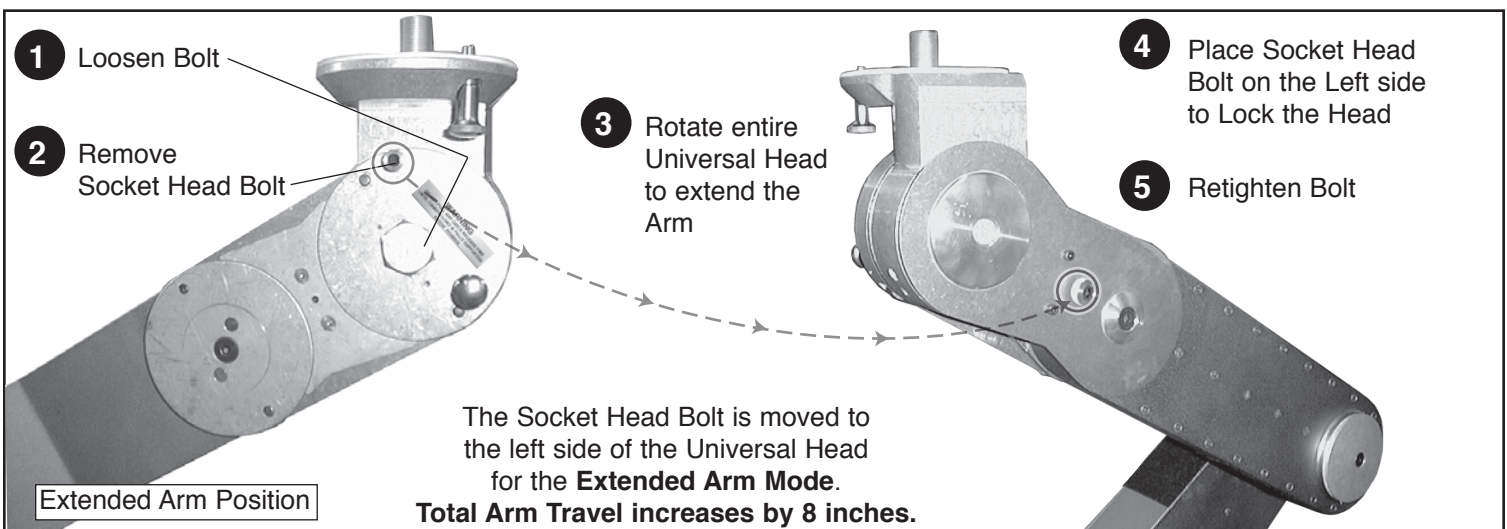


Universal Head Shipping Case



Whenever making adjustments to the Universal Head, make sure that you are in a positive Locked position at all times.

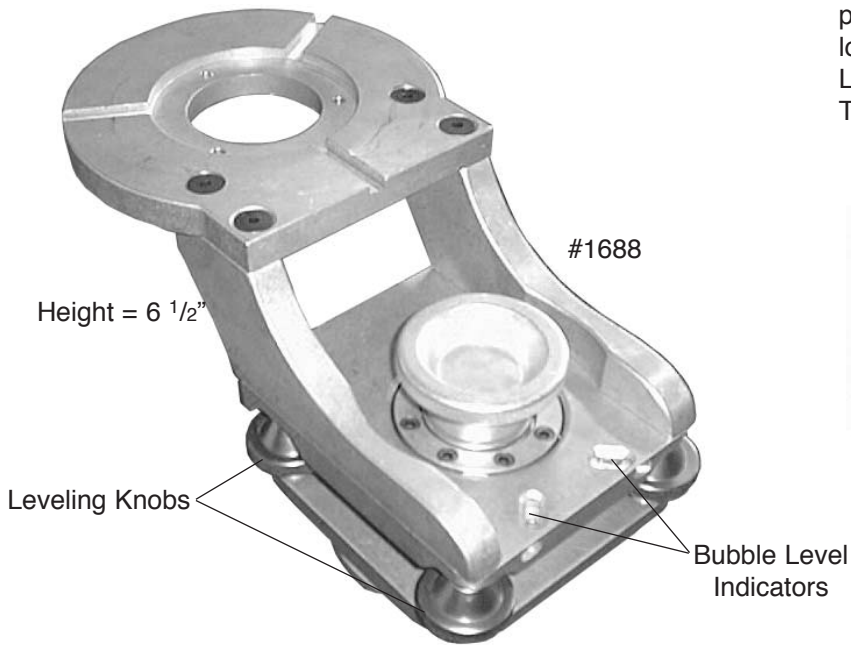
WARNING
DO NOT PULL ANY QUICK RELEASE PINS
UNTIL CAMERA LOAD IS FULLY SUPPORTED
PATENT PENDING



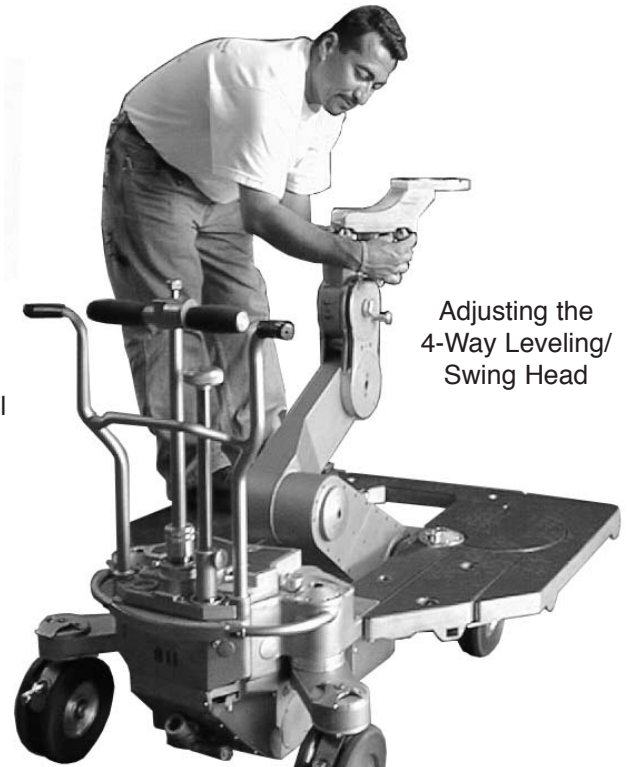
The Operator should be Qualified. For Assistance Please call our 24 hour Customer Service at 1-888-883-6559 or 1-818-764-6726.

© 1999 No part of this manual may be reproduced or electronically transmitted without the written permission of Chapman/Leonard Studio Equipment, Inc.

Super PeeWee® IV Standard 4-Way Leveling/Swing Head Features

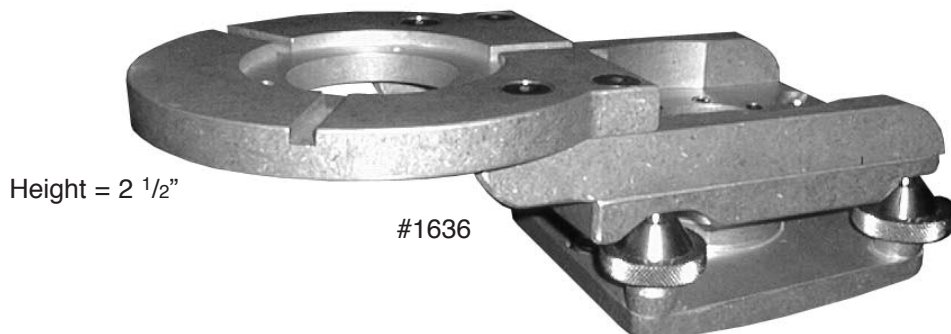


To Pan the 4-Way Leveling/Swing Head, pull the Quick Release Pin on the Universal Head, loosen the Knob only slightly and move the 4-Way Leveling/Swing Head to the desired pan direction. Tighten the Knob to prevent movement.



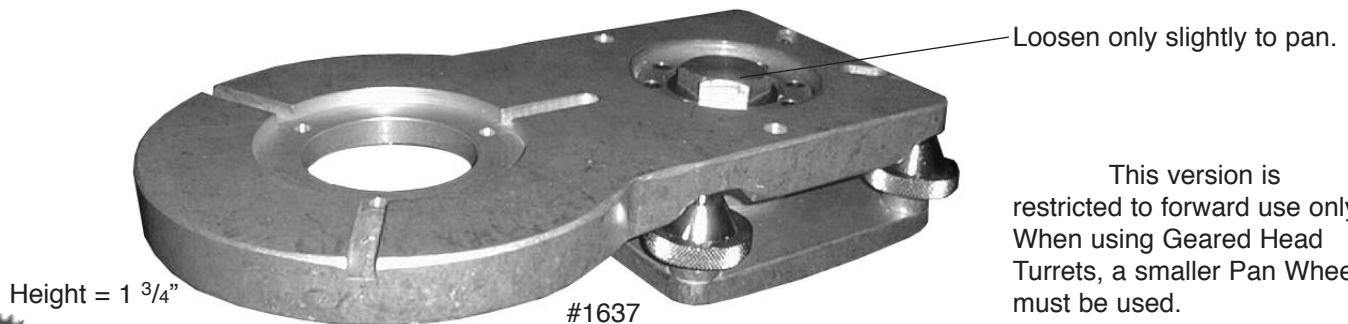
Park the Dolly on level ground and set the Wheel Locks. Observe the Bubble Level Indicator positions. If the bubble is not centered in each tube an adjustment should be made. Lower the Leveling Knob (clockwise) that is diagonally opposite a low bubble. Raise the Leveling Knob (counter clockwise) that is diagonally opposite a high bubble. Adjust all four Leveling Knobs until both Bubble Level Indicators are centered.

Super PeeWee® IV Low 4-Way Leveling/Swing Head Features



This version can be positioned backwards on the arm. When using Geared Head Turrets, a smaller Pan Wheel must be used.

Super PeeWee® IV Flat 4-Way Leveling/Swing Head Features



This version is restricted to forward use only. When using Geared Head Turrets, a smaller Pan Wheel must be used.

Super PeeWee® IV Low Plate Options



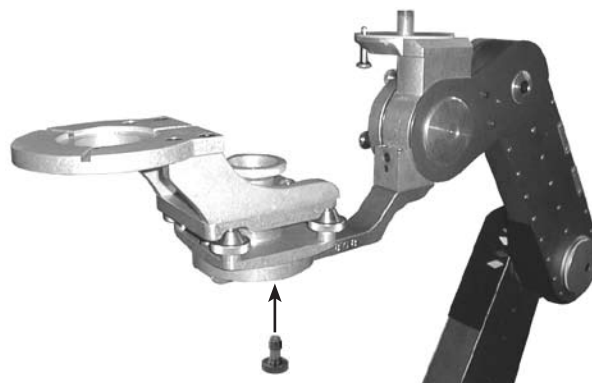
Attaching the Universal Low Plate #1689



Tighten the Low Plate with the Universal Wrench #1387



Low Plate in Low Mode



The 4-Way Leveling/Swing Head is rotationally indexed on the Low Plate and secured by a Thumb Screw.



Battery Plate #1693 mounts to the Low Plate



Battery Plate #1693 mounts to the Universal Head

The Operator should be Qualified. For Assistance Please call our 24 hour Customer Service at 1-888-883-6559 or 1-818-764-6726.

© 1999 No part of this manual may be reproduced or electronically transmitted without the written permission of Chapman/Leonard Studio Equipment, Inc.

Super PeeWee® IV Oil Tank & Heater

The Oil Tank Heater insures peak performance of the Dolly under cold environmental conditions. Be sure the Oil Pressure Gauge is reading less than 1500 psi and the Arm is down.

Then plug an extension cord into the AC receptacle. In the morning an ambient temperature of 40°F will require about 10 minutes to achieve a 70°F Oil Temperature. The Dolly will then perform at normal speeds after 1 or 2 rise and descents of the Arm Mechanism. This distributes warm oil to all parts of the system. Recharge and you are ready to go.

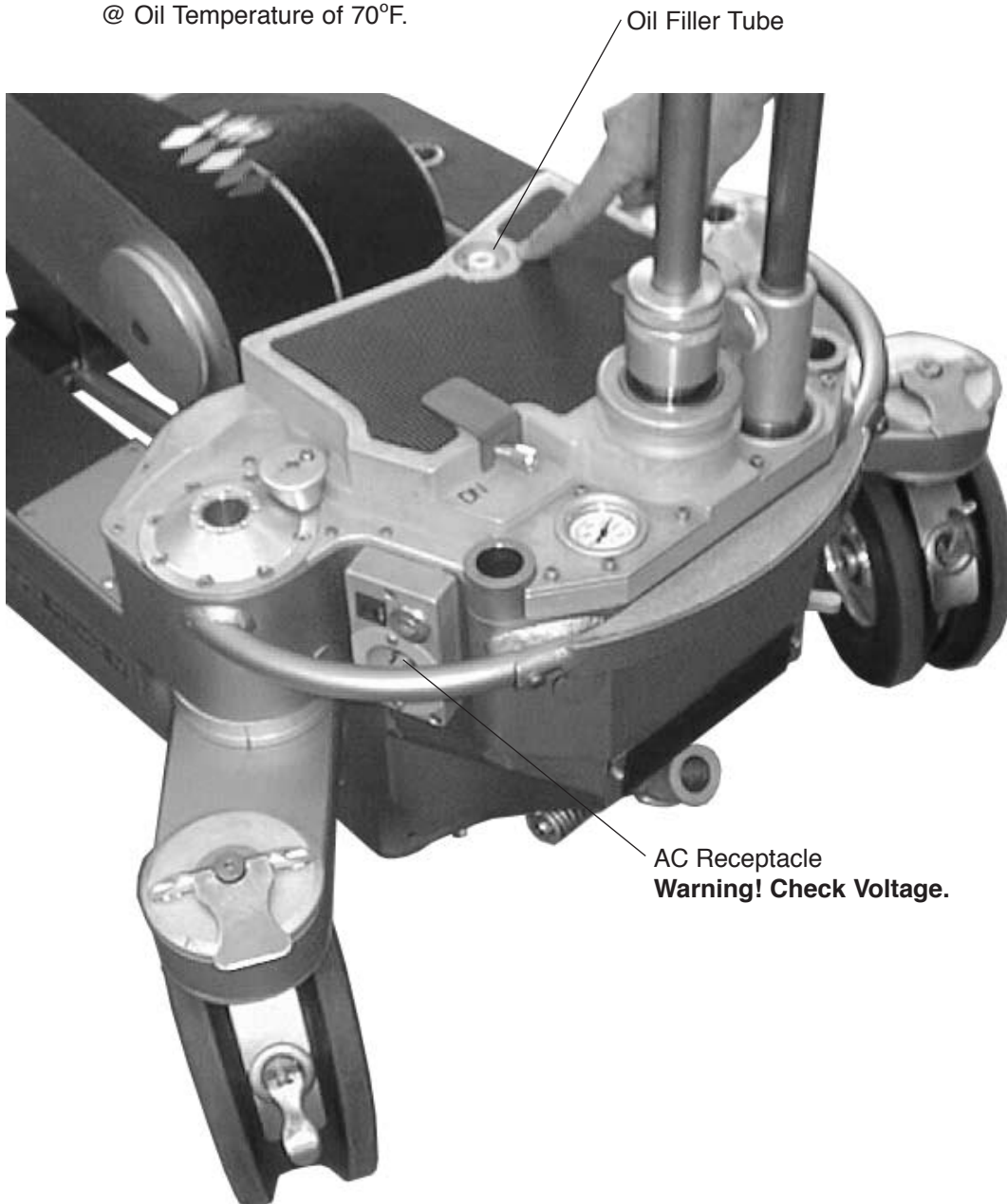
U.S.A. is a 110v System and Europe is a 220v System. Both versions are available, but a Dolly's electrical system can only be changed at an Authorized Chapman/Leonard facility.

With 110 lbs. nose load (added weight to SPW IV)

Up Speed is: 1.2 seconds

Down Speed is: 1.4 seconds

@ Oil Temperature of 70°F.



Super PeeWee® IV Tire Choices

Tires from earlier versions of the Super PeeWee® are not compatible with the Super PeeWee® IV.



Tire	Uses
------	------

- | | |
|---------------|--|
| Standard Hard | <ul style="list-style-type: none"> - Hard Floor - Studio - Stage - Track |
| Standard Soft | <ul style="list-style-type: none"> - Irregular Floor - Tiled Floors - Track |

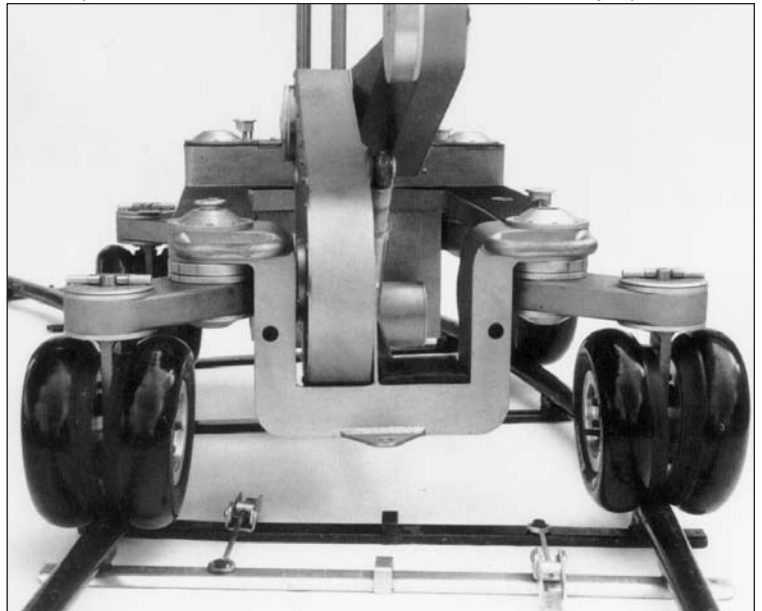
Super PeeWee® IV Standard Soft Tires can quickly be identified by the six dimples on the outer face.



Tire	Uses
------	------

- | | |
|-----------|--|
| Pneumatic | <ul style="list-style-type: none"> - Indoors - Outdoors - All Terrain - Ice - Track |
|-----------|--|

* Tire Pressure 120 psi Recommended for Best Performance
(Do Not Exceed Maximum Pressure of 125 psi)



Mounted Tracking Disk allows use in combination with Track.

Always read Warning Labels!

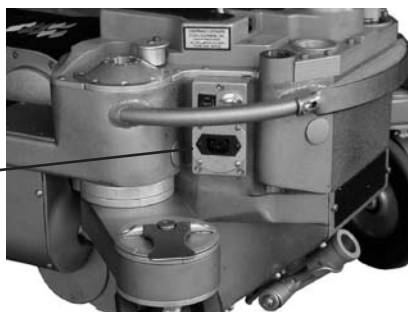
Spray the Tires with **Zep Par NC Silicone Spray** (Key Words on Label "Mold Release Agent"). This dramatically improves Tire Performance on Tile Floors, Hardwood, Track and even on Concrete. That's because friction is the culprit behind tire squeaks and the tendency of tires to stick to track or polished floors. Treated tires begin rolling and run through turns with only modest force.

Use the same spray to clean the tires.

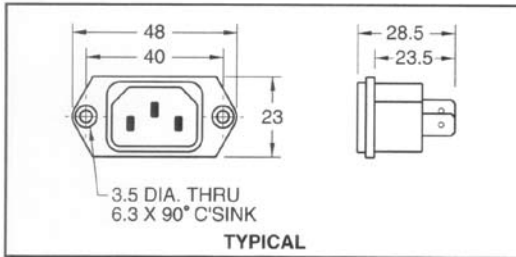
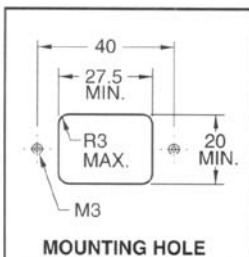
The Operator should be Qualified. For Assistance Please call our 24 hour Customer Service at 1-888-883-6559 or 1-818-764-6726.

Super PeeWee® IV Electrical Plug Options

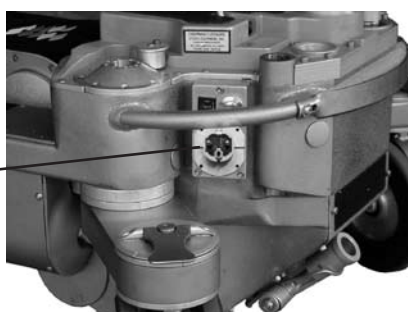
1



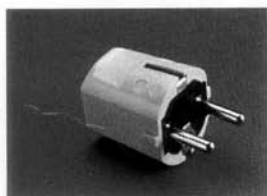
220 volt Plug
Used in Europe



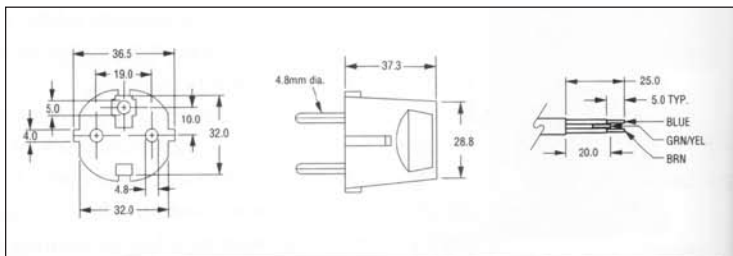
2



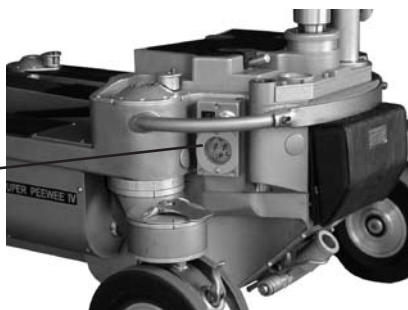
220 volt Plug
Used in Special Applications



Plug with strain relief
Part Number **88010701**
Type CEE 7/7
Color Gray
Rating 16A/250VAC
Approvals



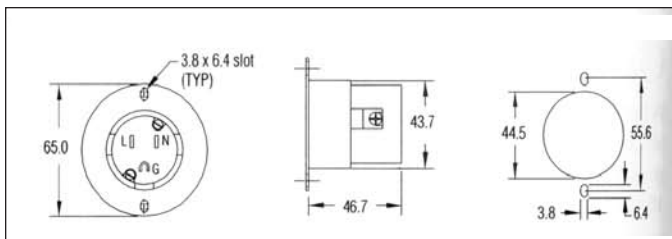
3



110 volt Plug
Used in North America



Flanged Inlet
Part Number **88031040**
NEMA Type 5-15P
Color White
Rating 15A/125VAC
Approvals UL, CSA



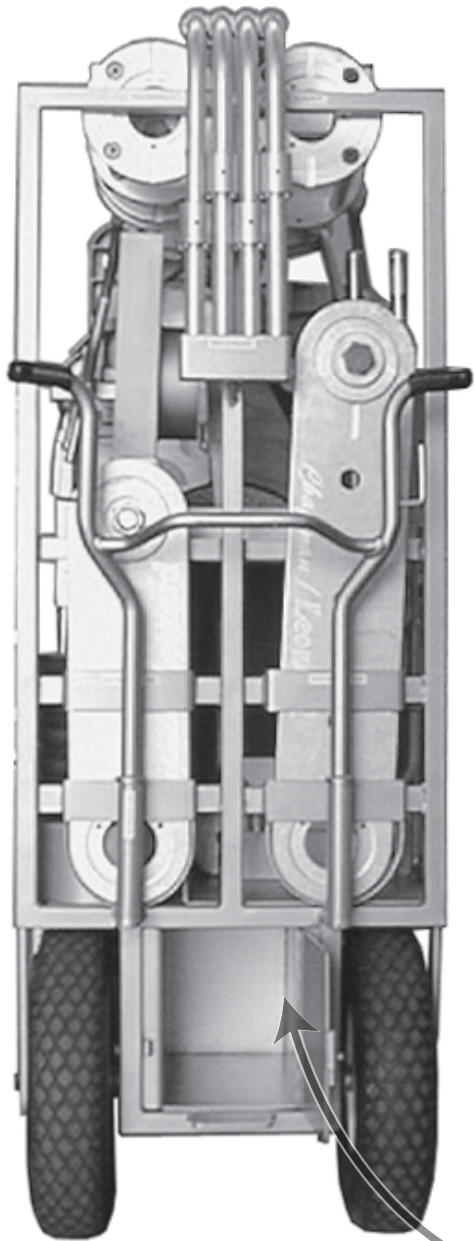
Super PeeWee® IV Cleaning Procedures

Always begin cleaning the Dolly with a Vacuum Cleaner. Never use an air hose because dirt and metal shavings will find their way into joints and bearings. This seriously shortens the life of the Dolly.

Never directly spray the Dolly with water. Use soap and water applied to a cloth or paper towel or preferably a brush to wipe down the rubber and metal parts of the Dolly.

Wax the exterior of the Dolly using **Megular's Mirror Glaze Cleaner Wax**. This keeps the Dolly cleaner during regular use and preserves the finish. A clean Dolly will insure optimum performance with smooth and quiet movements while enhancing aesthetics.

Spray the Tires with **Zep Par NC Silicone Spray** (Key Words on Label are "Mold Release Agent"). This dramatically improves Tire Performance on Tile Floors, Hardwood, Track and even on Concrete. Use the same spray to clean the Tires.



The Accessory Cart



For Metal

For Rubber & Plastic

Always read Warning Labels!

The Operator should be Qualified. For Assistance Please call our 24 hour Customer Service at 1-888-883-6559.

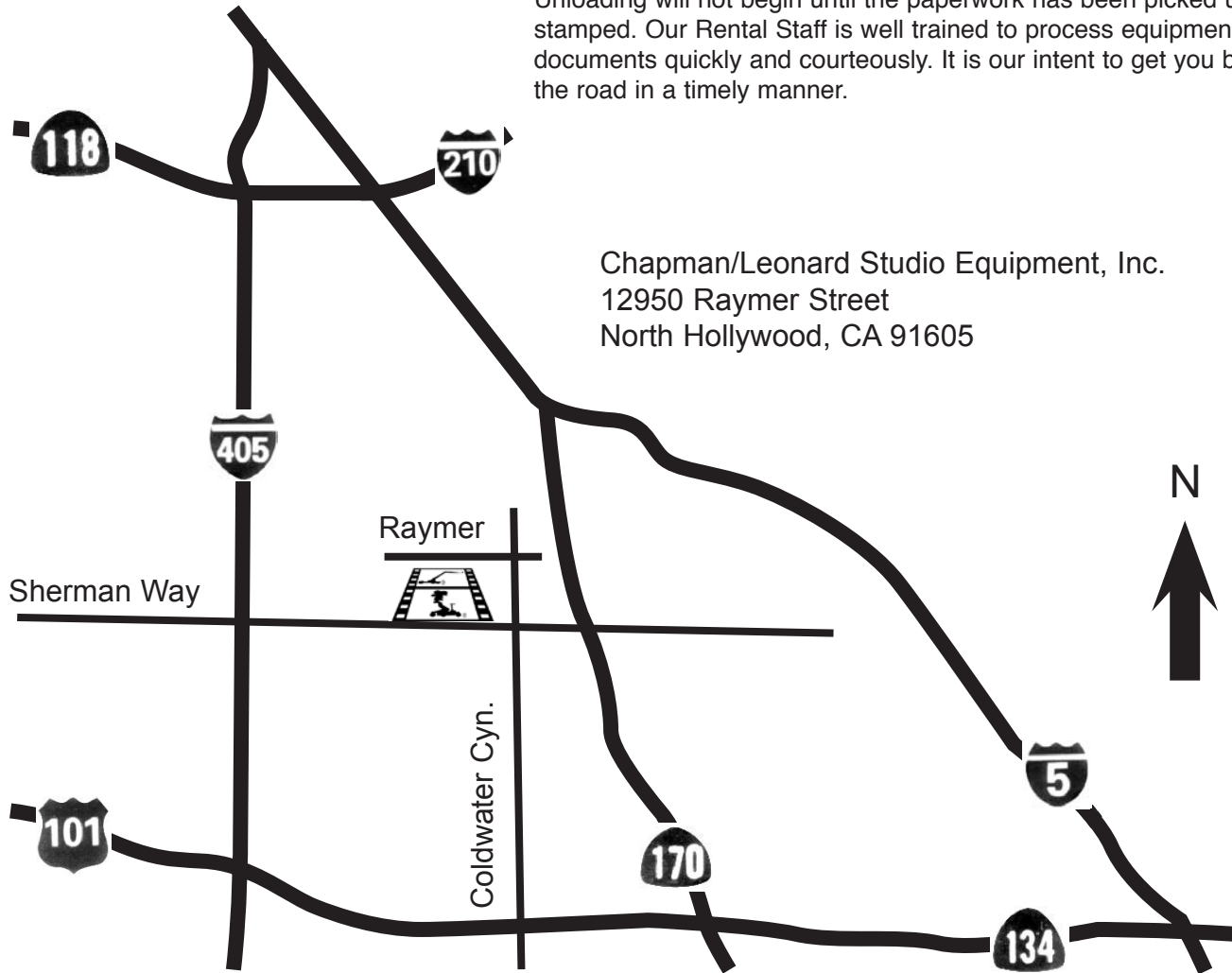
© 1999 No part of this manual may be reproduced or electronically transmitted without the written permission of Chapman/Leonard Studio Equipment, Inc.

Super PeeWee® IV Shipping

The Customer should be sure that the Dolly is properly crated for shipment. Get a signed receipt from the Shipping Company that will be transporting the Dolly. Keep the receipt from the transport company indicating that the Dolly has been shipped to Chapman/Leonard Studio Equipment, Inc.

When picking up or returning rental gear to Chapman/Leonard Studio Equipment, Inc., please remember that rentals are due back by 10 a.m. at our North Hollywood facility. The Rental office is open from 7 a.m. to 6 p.m. Monday through Friday and 8 a.m. to 1 p.m. on Saturdays. The Rental bays are located on your left, immediately after entering the studio yard from Raymer Street. Trucks should be backed up to the bays for easier loading. If no bays are available, you can temporarily park on Raymer Street and advise the Rental Office of your arrival. A Customer Service Agent will advise you when a spot opens at the bay.

All drivers should first report to the Rental Staff for paperwork. Unloading will not begin until the paperwork has been picked up and stamped. Our Rental Staff is well trained to process equipment and documents quickly and courteously. It is our intent to get you back on the road in a timely manner.



Super PeeWee® IV Technical Help

For Specific Questions relating to the Super PeeWee® IV, the following Technicians can help you:

Frank Requena - Maintenance and Quality Control
Jason Sutton - Transmission and any Steering/Shifting Adjustments

Chapman/Leonard Studio Equipment, Inc. for Customer Service:

Main Office 888-883-6559 or 818-764-6726 FAX 818-764-2728

Orlando 888-337-8243 or 407-851-3456
David Bullard - Field Technician/Trainer (Orlando, Florida) Pager 800-913-0232



The optional Rainhouse protects the camera and operator from the elements. It is also available in an opaque sunshade version.

The Extended Tracking Bar allows the grip to move the dolly without touching the steering handle.

Chapman/Leonard welcomes suggestions and comments for future editions of this Users Guide.

The Operator should be Qualified. For Assistance Please call our 24 hour Customer Service at 1-888-883-6559 or 1-818-764-6726.

© 1999 No part of this manual may be reproduced or electronically transmitted without the written permission of Chapman/Leonard Studio Equipment, Inc.

Super PeeWee® IV Label and Sticker Placement



Super PeeWee IV Sticker
Silver and Black
6" x 7/8"
#8668



Shifting Sticker
Silver and Black
2 5/8" x 1 3/8"
#14637



Voltage Warning Stickers
Silver and Black
2 1/2" Diameter
110 Volt - #9674
220 Volt - #9675

Super PeeWee® IV Label and Sticker Placement



Chapman/Leonard Sticker with Address
Silver and Black
2" x 1"
#9329



Chapman/Leonard Sticker with Address
Silver and Black
2" x 1"
#9329



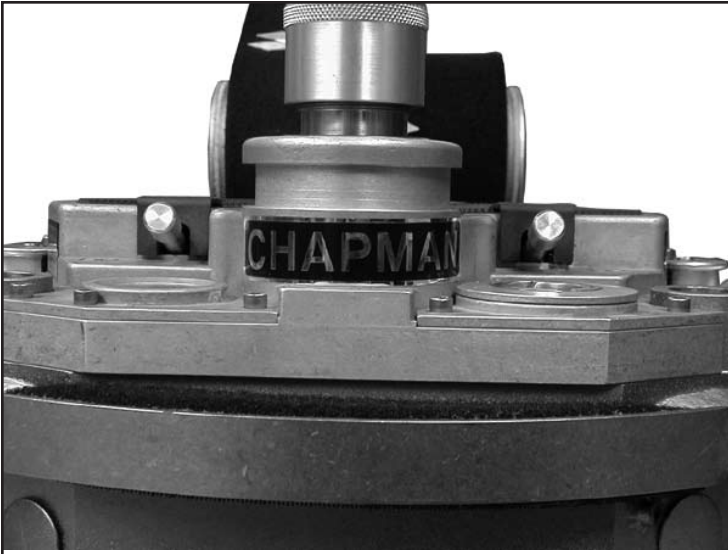
Warning - Unwanted Arm Movement
Silver and Red
1 7/8" Diameter
#8981

The Operator should be Qualified. For Assistance Please call our 24 hour Customer Service at 1-888-883-6559 or 1-818-764-6726.

Super PeeWee® IV Label and Sticker Placement



Rotate Head Sticker
Silver and Red
1⁵/₈" Diameter
#8624



Chapman Sticker
Silver and Black
4" x 7/8"
#9197

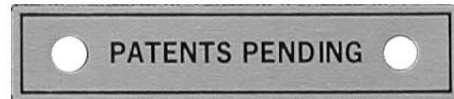
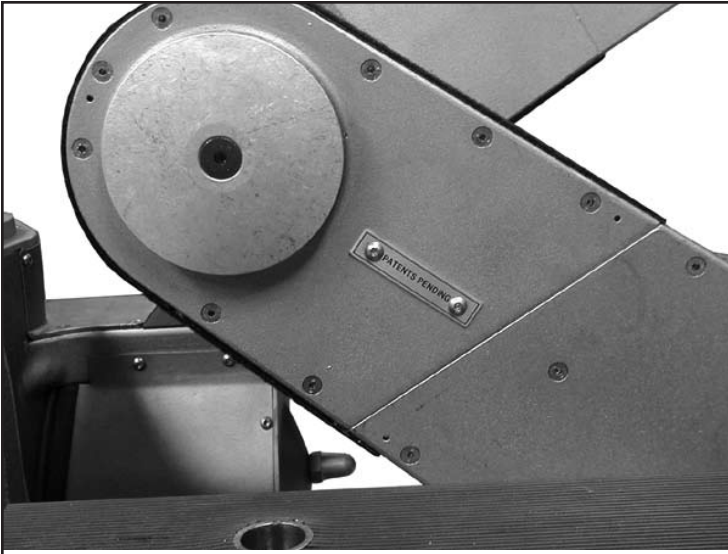


Chapman Sticker
Silver and Black
4" x 7/8"
#9197

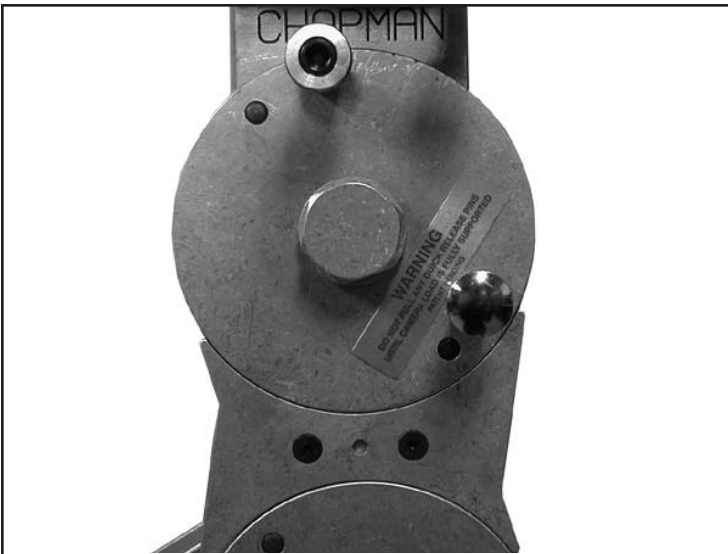
Super PeeWee® IV Label and Sticker Placement



Large Chapman Label
Silver and Black
7⁷/₈" x 1¹/₂"
#8751



Patents Pending Label
Silver and Black
2⁵/₈" x 9⁹/₁₆"
#8986



Warning - Quick Release Pins Sticker
Silver and Black
3¹/₂" x 7⁷/₈"
#8273

The Operator should be Qualified. For Assistance Please call our 24 hour Customer Service at 1-888-883-6559 or 1-818-764-6726.

© 1999 No part of this manual may be reproduced or electronically transmitted without the written permission of Chapman/Leonard Studio Equipment, Inc.

Super PeeWee® IV Index

Accessories	4-17	Pressure Gauge	23, 28, 32
Accessory Cart	4-5	Quick Release Pins	29, 30
AC Receptacle	28, 32	Ramp	4
Adjustment	20-25	Ram Cylinder	19, 23
Alignment	20-22, 26	Retaining Bolt	3
Arm	18, 19, 23-25	Round Mode	26, 27
Arm Movement Markers	25	Setup of the Dolly	3-18
Brake Lever	22	Shifting	26, 27
Charging	28	Shifting Control Pins	26
Cleaning	35	Shipping	3, 4, 36
Control Valve	23, 24, 28	Sideboards	5-17
Conventional Mode	26, 27	Specifications	19
Crab Mode	26, 27	Steering Control Pins	26
Crate	3, 4	Steering Modes	19-22, 26, 27
Dutching	18	Tab Lock	22
Feathering Levers	24	Technical Help	37
Foot Pump	19, 23, 28	Tires	20, 21, 33
Geometry Lever	21	Track	19-22, 33
Heater	32	Tracking	21, 26, 27
Height	19	Transmission	21, 26, 27
Hydraulic System	19, 23, 24, 28, 32	Valve Control	23, 24, 28
Leg Locks	22	Universal Head	29
Leveling/Swing Head	18, 19, 30, 31	Universal Leveling Wrench	31
Liability	36	Universal Stop Valve	19, 23, 24, 32
Low Plate	5, 18, 19	Unpacking the Accessory Cart	4
Motor	28, 32	Unpacking the Dolly	3
Oil Tank	32	Wheels	33
Orientation	18, 21	Wheel Alignment	21, 22
Panning	18, 19, 27, 30	Wheel Locks	22
Plugs, Electrical	34	Width	17, 20, 21



The Operator should be Qualified. For Assistance Please call our 24 hour Customer Service at 1-888-883-6559 or 1-818-764-6726.

© 1999 No part of this manual may be reproduced or electronically transmitted without the written permission of Chapman/Leonard Studio Equipment, Inc.