

ECARTONE

PROFESSIONAL CAMERA SUPPORT

MAXIMA

5.0



USER'S MANUAL & Maintenance





CERTIFICATO N. 19714/09/S
CERTIFICATE No.

SI CERTIFICA CHE IL SISTEMA DI GESTIONE PER LA QUALITÀ DI
 IT IS HEREBY CERTIFIED THAT THE QUALITY MANAGEMENT SYSTEM OF

CARTONI S.P.A.

VIA DI PORTONACCIO, 33/B 00159 ROMA (RM) ITALIA

NELLE SEGUENTI UNITÀ OPERATIVE / IN THE FOLLOWING OPERATIONAL UNITS

VIA DI PORTONACCIO, 33/B 00159 ROMA (RM) ITALIA

È CONFORME ALLA NORMA / IS IN COMPLIANCE WITH THE STANDARD
ISO 9001:2015

PER I SEGUENTI CAMPI DI ATTIVITÀ / FOR THE FOLLOWING FIELD(S) OF ACTIVITIES

PROGETTAZIONE, FABBRICAZIONE ED ASSISTENZA POST-VENDITA DI PRODOTTI PER LA CINEMATOGRAFIA E
 LA TELEVISIONE PROFESSIONALE. COMMERCIALIZZAZIONE DI PRODOTTI ED ACCESSORI IN CONCESSIONE
 PER LA CINEMATOGRAFIA E LA TELEVISIONE PROFESSIONALE

DESIGN, MANUFACTURE AND POST-SALE ASSISTANCE OF PROFESSIONAL BROADCAST AND FILM EQUIPMENT.
 MARKETING OF PROFESSIONAL BROADCAST AND FILM ACCESSORIES AND PRODUCTS AS LOCAL
 AGENCY REPRESENTATIVE

La validità del presente certificato è subordinata a sorveglianza periodica annuale / semestrale ed al riesame completo del sistema di gestione con periodicità triennale

The validity of this certificate is dependent on an annual / six monthly audit and on a complete review, every three years, of the management system

L'uso e la validità del presente certificato sono soggetti al rispetto del documento RINA: Regolamento per la Certificazione di Sistemi di Gestione per la Qualità

The use and validity of this certificate are subject to compliance with the RINA document: Rules for the certification of Quality Management Systems

Prima emissione First Issue	12.06.2009	Data decisione di rinnovo Renewal decision date	24.05.2018
Data scadenza Expiry Date	02.06.2021	Data revisione Revision date	24.05.2018

Amlicare Rini
 Rome Management System
 Certification, Head

RINA Services S.p.A.
 Via Corsica 12 - 16128 Genova Italy



SGQ N° 002 A

Members degli Accordi di Mutua
 Riconoscimento DA, IAF e ILAC
 Signatories of DA, IAF and ILAC
 Mutual Recognition Agreements



IQRNet, the association of the world's first class
 certification bodies, is the largest provider of management
 System Certifications in the world.
 After a comprised of more than 30 bodies and visitors
 over 150 subsidiaries all over the globe.

Per informazioni sulla validità
 del certificato, visitare il sito
www.rina.org

For information concerning
 validity of the certificate, you
 can visit the site
www.rina.org

Per i requisiti della norma non
 applicabili al campo di applicazione
 del sistema di gestione
 dell'organizzazione, riferirsi alle
 informazioni documentate relative.

Reference is to be made to the
 relevant documented information
 for the requirements of the
 standard that cannot be applied to
 the Organization's management
 system scope

IAF-17
 IAF-29



www.cisq.com

CISQ è la Federazione Italiana di Organismi di
 Certificazione dei sistemi di gestione aziendale
 CISQ is the Italian Federation of
 management system Certification Bodies

1.	INTRODUCTION	5
2.	OPERATING ELEMENTS	6
3.	PROCEDURES	8
4.	SPECIFICATIONS	9
5.	MAINTENANCE	10
6.	WARRANTY	10
7.	ACCESSORIES & PRODUCT LINE	11



1. INTRODUCTION

The new **MAXIMA 5.0** is the ultimate answer for Digital Cinematography with heavy duty packages. Its outstanding patented counterbalance compensates payloads from zero to 50 kg, with “perfect balance” throughout the 180° tilt range. The patented continuous fluid drag system performs from almost freewheeling to extremely consistent drag for maximum versatility and perfect diagonal shots.

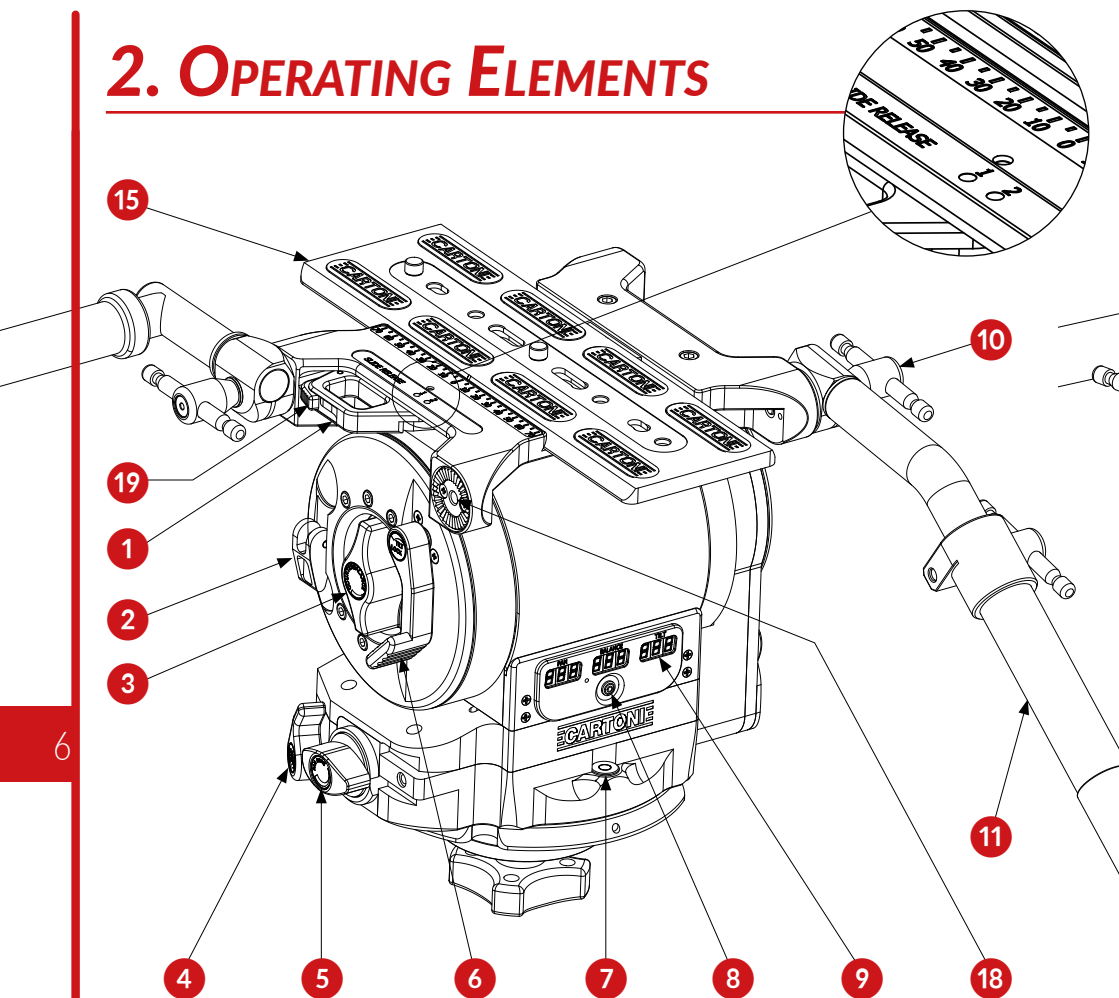
The **MAXIMA 5.0** knobs and levers are ergonomically placed to ensure camera operators complete ease-of-use in any situation, whether in the studio, location or during outside shooting. Drag and counterbalance settings are monitored on a large digital display.

The large sliding camera plate is compatible with Arri, Sony and O’Connor slides. The head comes with a telescopic pan bar and a short front pan bar. With the classic Mitchell base the **MAXIMA 5.0** interfaces with all flat base Mitchell tripods and platforms.

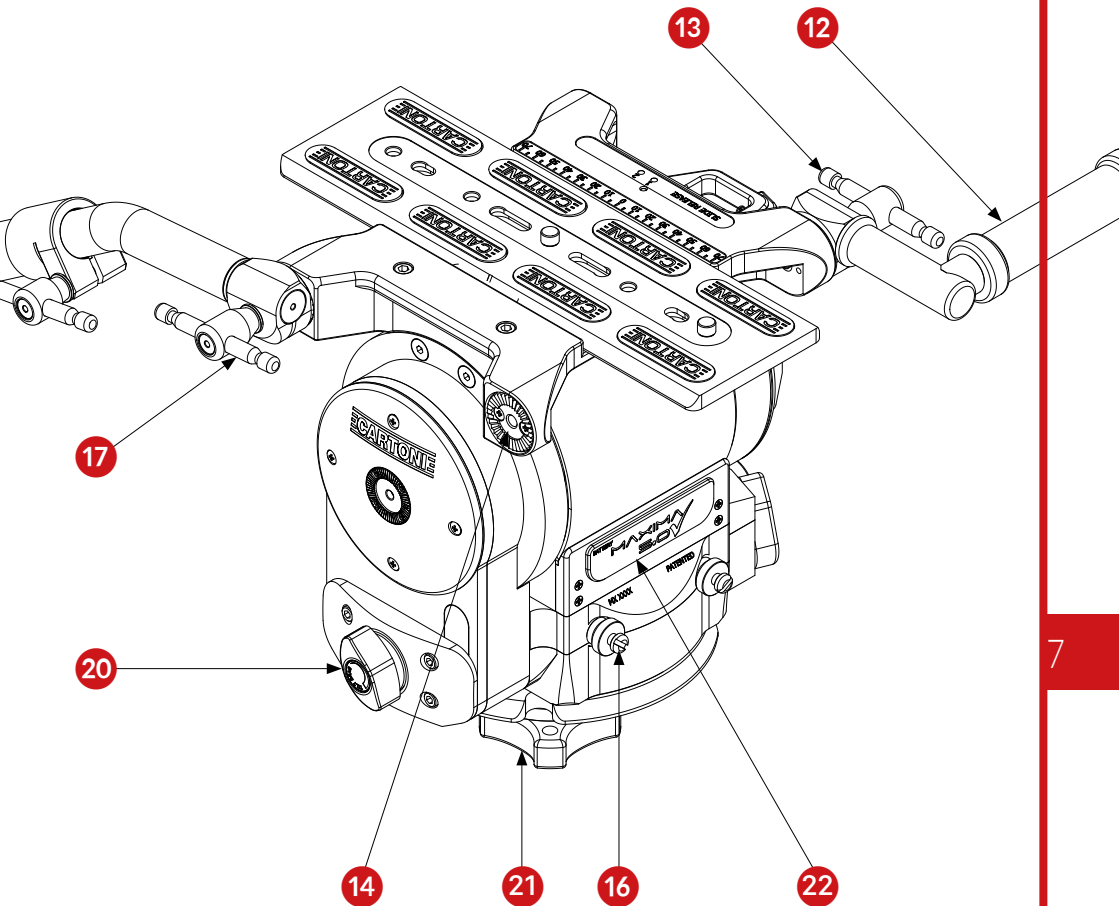
Optional 150mm bowl base can be easily applied.

- ✓ Before using the **MAXIMA 5.0** Fluid Head, please make sure to read this user’s & maintenance manual;
- ✓ Before installing the Fluid Head on the tripod check the tripod stability;
- ✓ Check that the Camera payload (including lenses and accessories) is lower than the maximum capacity of the **MAXIMA 5.0** Fluid Head;
- ✓ Before installing the Camera make sure the **MAXIMA 5.0** is in good conditions and bares no evident damages.

2. OPERATING ELEMENTS



- | | | | |
|---|-------------------------|----|---|
| 1 | Slide lock lever | 7 | Illuminated bubble level |
| 2 | Horizontal lock lever | 8 | Illuminated bubble level and display light button |
| 3 | Counterbalance selector | 9 | Digital display |
| 4 | Pan lock lever | 10 | Extensible handle attachment lever |
| 5 | Pan drag selector | | |
| 6 | Tilt lock lever | | |



11 Extensible pan handle

12 Short handle

13 Short handle attachment lever

14 Short handle attachment rosette

15 Camera plate

16 Tool box attachment

17 Handle attachment lever

18 Handle attachment rosette

19 Safety button slide lock lever

20 Tilt drag selector

21 Tie down knob

22 Battery housing

3. PROCEDURES

- ✓ Open the tripod to the desired height and lock all the safety knobs.
- ✓ Place the MAXIMA 5.0 Fluid Head on the tripod base and rotate until it matches the steel notch; tighten the Head firmly by screwing in the knob (21) underneath the flat base. Check the illuminated bubble level (7) and modify the legs angle if needed. In case of low visibility, press button (8) for illuminated bubble level and to activate the digital displays (9). Lights will turn off automatically after approximately 30 seconds.
- ✓ Lock the horizontal position with lever (2) red position, insert pan lock (4) and turn both tilt drag selector (20) and counterbalance selector (3) to position "0".
- ✓ To release the Camera plate (15) push the red safety button (19) and open the slide lock lever (1) completely till to position 2, then remove the Camera plate.
- ✓ Attach the Camera plate under the Camera assembly and firmly secure it with both screws. Try to place the Camera plate centered under the Camera system, keeping in mind the position of the center of gravity (CG).
- ✓ Place the Camera on the top of the MAXIMA 5.0, leaning sideways against the left side of the head (slide lock side), then push the assembly into horizontal position until you feel the click of the slide lock lever (1), which will be in position 1 (at this point the Camera plate is clamped but still moving fore-and-aft).

- ✓ Holding the pan bar (11) firmly, disengage lever (2) to green position and find the correct center of gravity (CG) sliding the Camera assembly fore-and-aft. Lock the slide lock lever (1) all the way in.
- ✓ Set the counterbalance system by turning the counterbalance selector (3) to the appropriate tension. The Camera has to stay still at any tilt angle. If needed, fine tune the balance by adjusting the sliding plate.
- ✓ Push button (8) to activate illuminated digital displays (9), unlock Pan lock (4) and select the desired Fluid drag intensity on both Pan and tilt by turning Pan selector (5) and tilt selector (20).

4. SPECIFICATIONS

Minimum payload	0 Kg	0 lbs
Maximum payload	50 Kg	110 lbs
Weight	13 Kg	28.7 lbs
Bowl diameter	Flat base	
Fluid control	Continuous	
Counterbalance	Continuous	
Pan range	360°	
Tilt range	+/-90°	
Temperature range	-40 /+60 °C	-40 /+140 °F

5. MAINTENANCE

When needed, with indoor use just clean the Head and Tripod with a soft cloth. Dirt accumulated during storage may be removed using a brush or Air spray.

CARTONI products main mechanisms are sealed as they are also built for professional outdoor use.

However, use under rough conditions they will require special care. Salt water is very corrosive and can cause extreme damages. In attempt to avoid further damage the Fluid Head should be washed off with fresh water at the earliest opportunity and perfectly dried before storage.

Sand and dirt are abrasive and should be removed using a semi-stiff brush or Air spray.

Disconnect the illuminated display & bubble level battery during long term storage; for battery replacement access the battery compartment (22).

6. WARRANTY

All **CARTONI** Fluid Heads & Pedestals have a free of charge three (3) year warranty. Register your product at www.cartoni.com within 30 days from date of first purchase/invoice to receive further two (2) year warranty for the unsurpassed free five (5) year warranty.

Tripods, spreaders, dollies and all accessories are guaranteed one (1) year from the date of first purchase/invoice.

CARTONI warrant that the product supplied will - under proper use - be free from defects in workmanship and materials and agrees that it will,

at its option, either repair or replace any defective part within duration of warranty from date of first purchase with no labour charge.

This warranty does not apply to any **CARTONI** product that has been damaged in shipping or handling, abused, misused, operated contrary to instructions for use, neglected, normal wear or tear, modified or changed in design or construction or serviced by unauthorized parties.

Repairs or misuse by any unauthorized parties will void this warranty.

Warranty claims must be submitted – in writing - to the factory for verification or to an authorized distributor/dealer designated by **CARTONI**.

It is the end user's responsibility when ordering to ensure that the products ordered conform to his requirements.

All freight of product to **CARTONI** must be prepaid. All implied warranties are limited to the time period set forth herein & subject to change without notice.

No liability can be accepted for any variation.

7. ACCESSORIES & PRODUCT LINE

For the complete Accessories list & Product line please visit **CARTONI**'s official website **www.cartoni.com**.

Every product has an updated list of compatible items sorted by groups, with descriptions and technical data.



CARTONI
PROFESSIONAL CAMERA SUPPORT

CARTONI S.p.A
Via di Portonaccio, 33/B - 00159 Rome (Italy)
Phone +39 06 4382002
Fax +39 06 43588293
Email: cartoni@cartoni.com
www.cartoni.com

Manual Version: 1.0 - Issue date: April 2021