

# niftylift

# HR28 4x4



Niftylink®

(A) 28m  
92ft



(B) 26m  
85ft 6in



(C) 19m  
62ft



280kg  
620lbs



2.4m x 0.9m  
7ft 10in x 2ft 11in



150°



180°



(D) 2.7m  
8ft 10in



(F) 2.49m  
8ft 2in



(H) 7.3m  
23ft 11in



(J) 9.28m  
30ft 5in



4.7km/h  
3mph



5.9m  
19ft 4in



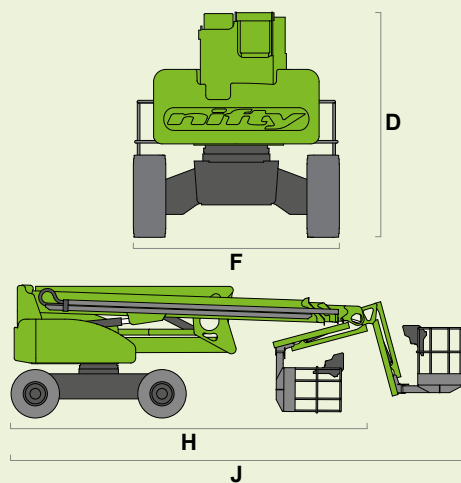
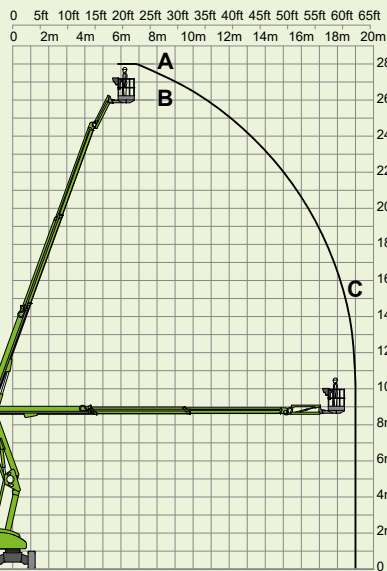
40%  
22°



14650kg  
32300lbs



Hybrid<sup>2</sup>



SiOPS® Gen<sup>2</sup> Hybrid  
Niftylink®

**niftylift**

Chalkdell Drive, Shenley Wood,  
Milton Keynes, MK5 6GF  
England, United Kingdom  
+44 1908 223456  
sales@niftylift.com  
www.niftylift.com

 ISO 9001 QUALITY MANAGEMENT	 ISO 14001 ENVIRONMENTAL MANAGEMENT	 ISO 45001 HEALTH & SAFETY MANAGEMENT
---	--	--



IS-110