

SPECIFICATIONS

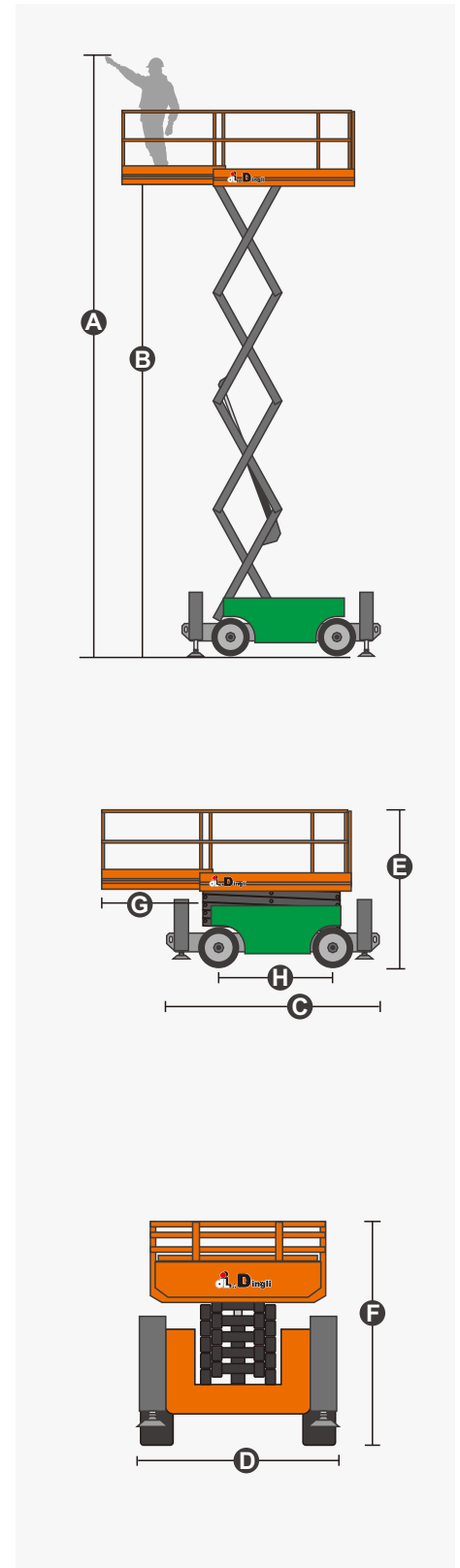
Size	Metric	British
Max. Working Height A	14.30m	46ft 11in
Max. Platform Height B	12.30m	40ft 4in
Overall Length(Without Outriggers)	3.19m	10ft 6in
Overall Length(With Outriggers) C	3.84m	12ft 7in
Overall Width D	1.76m	5ft 9in
Overall Height(Rails Up) E	2.74m	
Overall Height(Rails Down) F	1.97m	6ft 6in
Platform Size(Length×Width)	2.88m×1.52m	9ft 5in × 5ft
Platform Extension Size G	1.43m	4ft 8in
Ground Clearance(Stowed/Raised)	0.24m	9in
Wheelbase H	2.29m	7ft 6in
Turning Radius(Inside/Outside)	2.15m/4.85m	7ft 1in/15ft 11in
Tyres	26×12-16.5	26×12-16.5

Performance		
S.W.L	363kg	800lb
S.W.L On Extension	136kg	299lb
Max. Occupants	3	3
Gradeability	40%	40%
Travel Speed(Stowed)	6.3km/h	6.3km/h
Travel Speed(Raised)	0.45km/h	0.45km/h
Max. Working Slope	1.5°/3°	1.5°/3°
Up/Down Speed	45/46sec	45/46sec

Weight		
Overall Weight(Without Outriggers)	5150kg	11353lb
Overall Weight(With Outriggers)	5150kg	11353lb

Power		
Hydraulic Tank	71L	71L
Battery	48V/320Ah	48V/320Ah
Charger	48V/35A	48V/35A
Driving Motor	2×32VAC/3.3kW	2×32VAC/3.3kW
Lifting Motor	DC 48V/3.8kW	DC 48V/3.8kW

* The platform height plus 2m (7ft in British standard) is the working height.
Standards Compliance



FEATURES

Standard Items

- Proportional Joystick Controls
- Self-Locking Gates
- One-Way Platform Extension Deck
- 4×2 Drive
- Four-Wheel Braking
- Emergency Descent System
- Tubing Explosion-Proof System
- Onboard Fault Diagnostic System
- Tilt Alarm
- Motion Alarm
- Horn
- Hour Meter
- Charging Protection System
- Flashing LED Beacon
- Foldable Guard Rails
- Drive Enable
- Automatic One-Way Platform Extension Deck
- Manual Brake Release
- Lanyard Attachment Point
- Standard Transport Forklift Pockets
- Automatic Leveling Hydraulic Outriggers
- Oscillating Axle Chassis
- Emergency Stop Button
- Platform Load Sense System
- Drivable At Full Height

Optional Items

Factory Tyres

- Foam-Filled Tyres **
- Non-Marking Tyres

Factory Hydraulic Oil

- No. 46 Hydraulic Oil (Mineral Oil)**

Additional Items

- GPS Unit
- Biodegradable Hydraulic Oil
- AC Power Cord to Platform
- Air Line to Platform
- Work Light Package
- Footpedal Switch
- Anti-Collision Bar on Platform
- Visual Spirit Level
- Outrigger Pad Package

** Factory Default, If You Have Other Needs, Please Inform Dingli Regional Sales.

ZHEJIANG DINGLI MACHINERY CO., LTD.

No. 188 Qihang Road, Deqing, Zhejiang P.R.China 313219

Telephone +86(572)8681688

Fax +86(572)8681960

E-Mail export@cndingli.com

[Http://www.cndingli.com](http://www.cndingli.com)

