

DESIGN BASIS & SPECIFICATIONS

The UIS Power Push™ has been designed, tested and implemented to suit the needs of small / large scale gas / water / electric mains replacement schemes.

SPECIFICATIONS & RECOMMENDATIONS

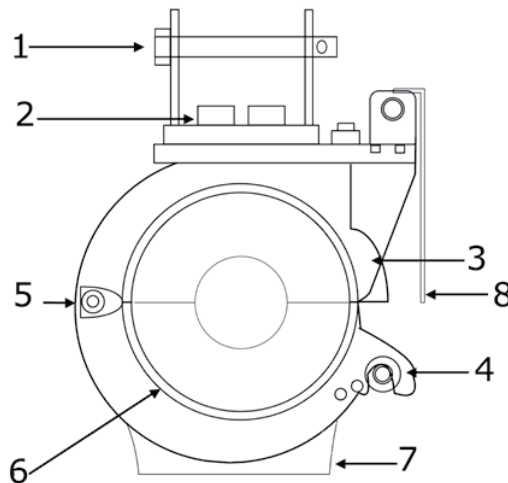
63mm > 180mm Pipe Pusher

- Weight – 46KG
- Height – 420mm
- Length – 310mm
- Width – 335mm
- Jaw Opening Width – 100mm
- Clamping Force – 1200KGF
- Recommended Working Pressure – 200 Bar Max
- Recommended Excavator Size:
 - Excavator Size – 1.5T
 - Pipe Diameter – 63mm/75mm/90mm/110mm&125mm
 - SDR Range – 11 & 17.6
 - Excavator Size – 3T
 - Pipe Diameter – 140mm/160mm/180mm
 - SDR Range – 11 & 17.6

200mm > 400mm Pipe Pusher

- Weight – 172KG
- Height – 600mm
- Length – 460mm
- Width – 590mm
- Jaw Opening Width – 180mm
- Clamping Force – 5000KGF
- Recommended Working Pressure – 200 Bar Max
- Recommended Excavator Size:
 - Excavator Size – 3T & 5T

1. Carrier Head Bracket & Pin
2. 4 Bolt Plate Connection
3. Hydraulic Cylinders
4. Lock Mechanism
5. Clamp Pivot Point
6. Shim Inserts
7. Flat Stand Plate
8. Ram Guard



UTILITY INNOVATIONS
SOLUTIONS
LIMITED

