



Ironman Technical Specification



Description:

The Permaquip™ Ironman is a proven design which can be used stand-alone or in multiples, for the lifting and transportation of rail lengths, sleepers or parts of points and crossings (P&C) from one location to another. For use on track and across the rail infrastructure.

Each Ironman is equipped with a fail-safe braking system which operates on the two wheels on one of the legs. The brake lever is operable from both sides of the Ironman. The Ironman is to be manually propelled along track by a minimum of two personnel depending on loadings to ensure safe transportation of a controlled load. The Ironman can also be used to transpose rail from one side of the track to the other. Therefore, by straddling the running rails, access to the four-foot, six-foot and cess is possible.

The design is available with multiple additional options including standard or electrically insulated wheels (nylon/aluminium hybrid), single or double rail carriage, Camlok clamp or Permaquip rail lifting clamp, rail storage bracket and sleeper lifting system.

The Ironman has been designed to be split into multiple sections to aid handling and transporting to and from site. Each section can be lifted between two personnel safely and easily assembled / disassembled within one minute. Ironmen are powder coated predominantly yellow for high visibility when on track and supplied with red flashing LED lights to aid awareness when in low light conditions.

Please note:

All information, illustrations and specifications in this Technical Sheet are based on the latest information available at the time of publication. The right is reserved to make changes at any time without notice.

Equipment operators and installers shall be responsible for ensuring that a safe working environment and safe systems of work are in place and in certain circumstances advice and permission from the controlling authority must be sought before any operation, installation or surveying work is carried out.

Permaquip™ is a trademark of Permaquip Ltd.

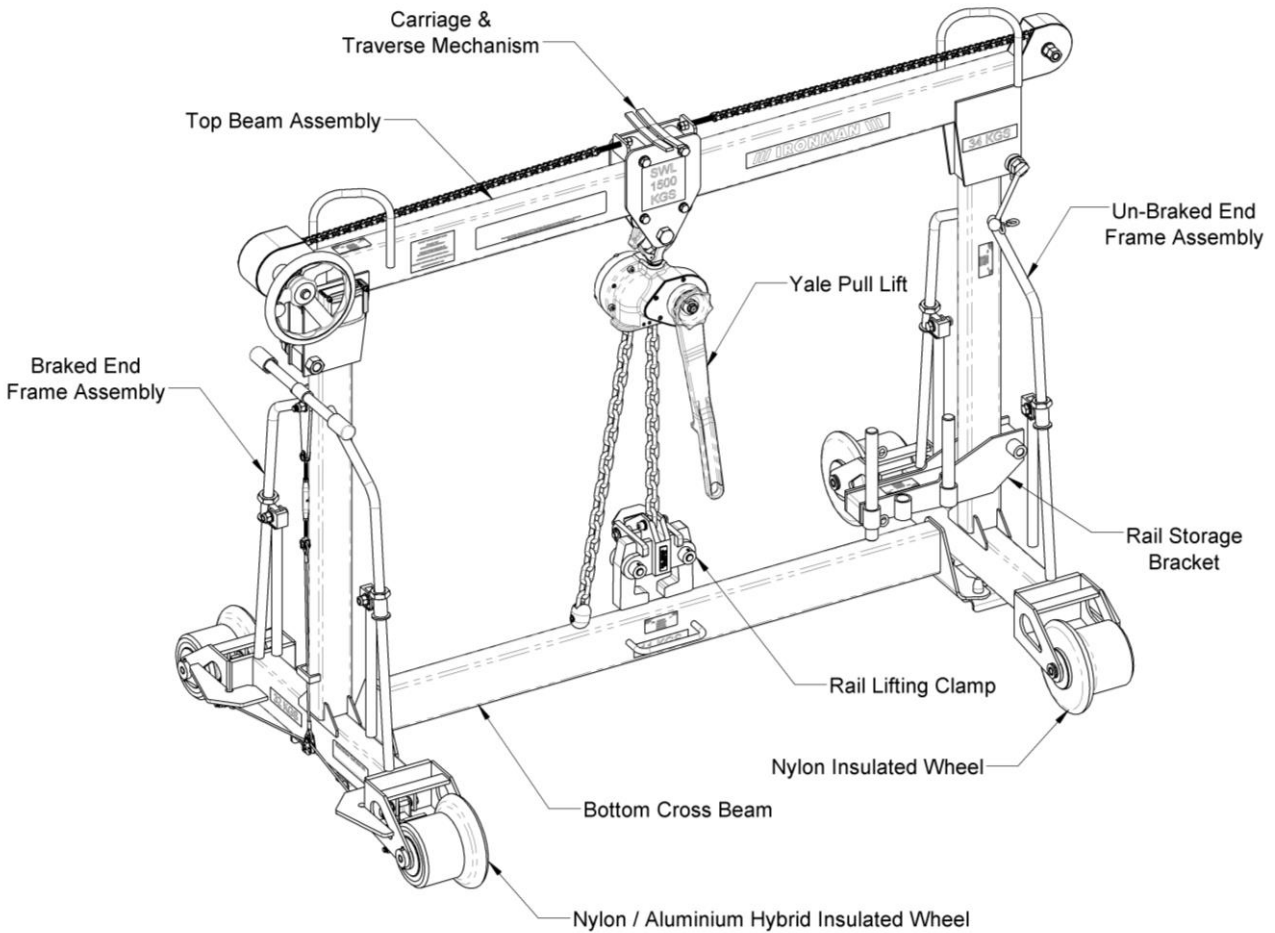
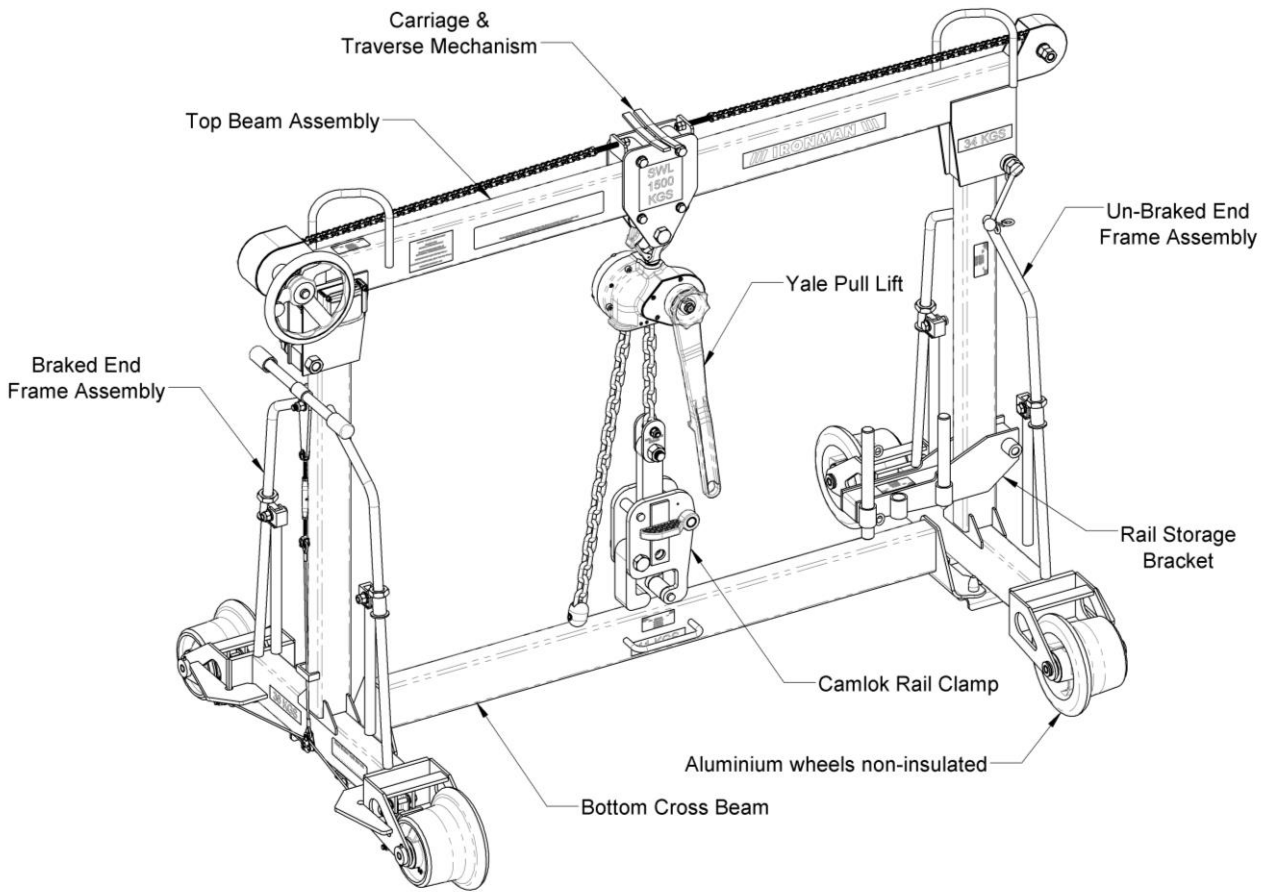
©2006 Permaquip Ltd.

Permaquip Ltd, Brierley Industrial Park, Stanton Hill, Sutton-In-Ashfield Nottinghamshire, NG17 3JZ

Tel: +44 (0)1623 513349 / Fax: +44 (0)1623 517742

E-mail: sales@permaquip.co.uk / www.permaquip.co.uk

Ironman Layout:



Technical Data:

Ironman Part Numbers:

- Ironman Std. c/w Lifting Equipment 28957
- Ironman Frame Standard 28397
- Ironman LUL c/w Lifting Equipment & Nylon Wheels 28717
- Ironman LUL Frame 33273

Overall dimensions (1435 gauge):

- Length Std. 1083mm / LUL 1065mm
- Width 1932mm
- Height Std. 1394mm / LUL 1385mm

Track Gauge:

1435mm

(Various other gauges available upon request)

SWL:

- Ironman frame assembly 1500kg
- Camlok Rail Clamp (see marking on clamp for details) 750kg or 1000kg
- Rail Lifting Clamp 1500kg
- Yale Pull Lift 1500kg
- Adaptor Link 1500kg
- Single Leg Chain Assembly 3150kg

Masses:

- Ironman Standard spec. (without lifting Equipment): 153.5kg
- Ironman LUL spec. (without lifting Equipment): 141.5kg

Wheels:

- Material: Aluminium or Nylon/Aluminium Hybrid
- Profile: P1 / Permaquip flanged non-tapered (LUL)
- Rolling Diameter 6" / 135mm
- Insulation (Optional) 5 MΩ

Brakes:

Failsafe braking as standard tested in line with CoP 0018

Maximum Cant (on track):

150mm

Maximum Gradient:

1 in 27

Maximum Cross Level (off track, stationary):

150mm

Maximum Length of Rail:

360' (110m)

Network Rail Infrastructure 300' (91.5m)

Product Compliance:

- RIS-1701PLT
- BS EN13977
- Directive 2006/42/EC Safety of Machinery
- Directive 93/68/EEC CE Marking

Please see Operating & Maintenance Manual for further technical information.

Permaquip Ironman

