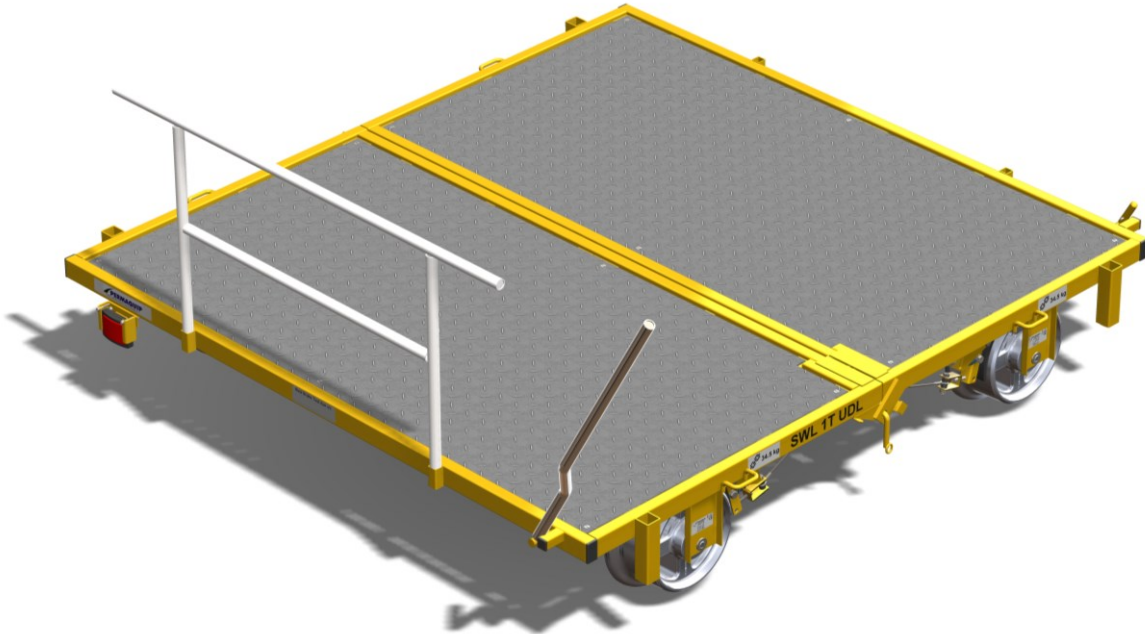




Type B Trolley *Technical Specification*



Description:

The Permaquip™ Type B Trolley is designed to be used as a manual propelled, stand-alone load-bearing rolling platform for use on-track.

Each Type B Trolley is equipped with a fail-safe braking system as standard and is supplied with detachable brake and push handles.

The design is available with multiple additional options including standard or electrically insulated wheels, aluminium or wooden deck, trolley mesh sides, swing lift crane & gas bottle carrier.

The Type B Trolley has been designed to be split into two halves to aid handling and transporting to and from site. They can be safely stacked in multiples of five during transit provided that this is within the vehicles operating capabilities and the load is secure and stable. They can be stacked in multiples of eight for storage.

Type B trolley chassis' are powder coated yellow for high visibility when on track and supplied with red flashing LED lights to aid awareness when in low light conditions.

Please note:

All information, illustrations and specifications in this Technical Sheet are based on the latest information available at the time of publication. The right is reserved to make changes at any time without notice.

Equipment operators and installers shall be responsible for ensuring that a safe working environment and safe systems of work are in place and in certain circumstances advice and permission from the controlling authority must be sought before any operation, installation or surveying work is carried out.

Permaquip™ is a trademark of Permaquip Ltd.

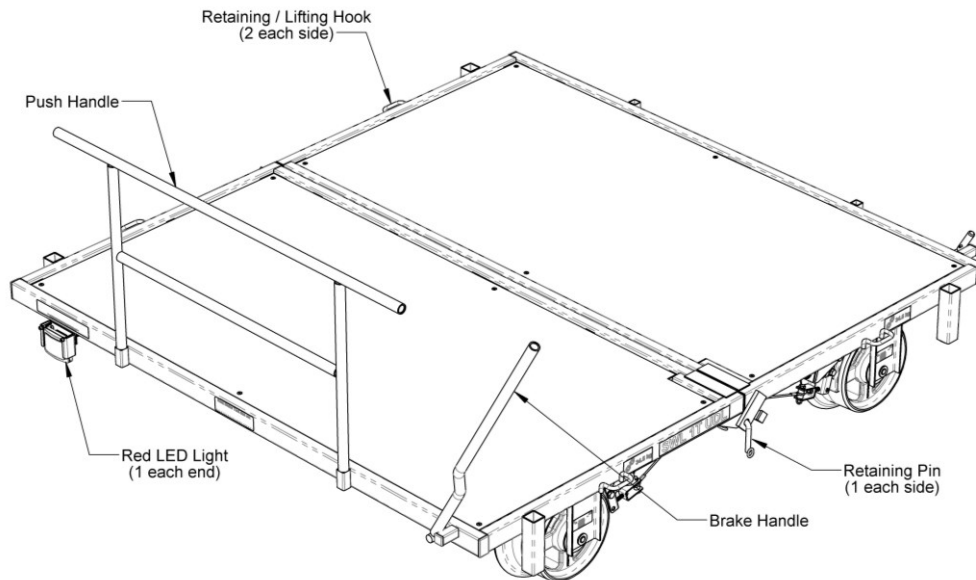
©2006 Permaquip Ltd.

Permaquip Ltd, Brierley Industrial Park, Stanton Hill, Sutton-In-Ashfield Nottinghamshire, NG17 3JZ

Tel: +44 (0)1623 513349 / Fax: +44 (0)1623 517742

E-mail: sales@permaquip.co.uk / www.permaquip.co.uk

Type B Trolley Layout:



Technical Data:

Type B Trolley Part Numbers:

• Type B Trolley Non-Insulated Wheels Wooden Deck	24681
• Type B Trolley Insulated Wheels Wooden Deck	27789
• Type B Trolley Non-Insulated Wheels Aluminium Deck	27790
• Type B Trolley Insulated Wheels Aluminium Deck	27791

Overall dimensions:

• Length	1940mm
• Width	1795mm
• Height to push handle from top of rail head	850mm

Platform dimensions:

• Length	1830mm
• Width	1695mm
• Height from top of rail head	304mm

Track Gauge:

1435mm
(Various other gauges available upon request)

SWL:

2000kg UDL
(1000kg on NWR & LUL Infrastructure)

Mass:

138kg

Wheels:

• Material:	Aluminium
• Profile:	P1
• Rolling Diameter	10"
• Insulation (Optional)	5 MΩ

Brakes:

Failsafe braking as standard tested in line with CoP 0018

Maximum Cant:

150mm

Maximum Gradient:

1 in 30

Product Compliance:

- RIS-1701PLT
- BS EN13977

Permaquip Type B Trolley

