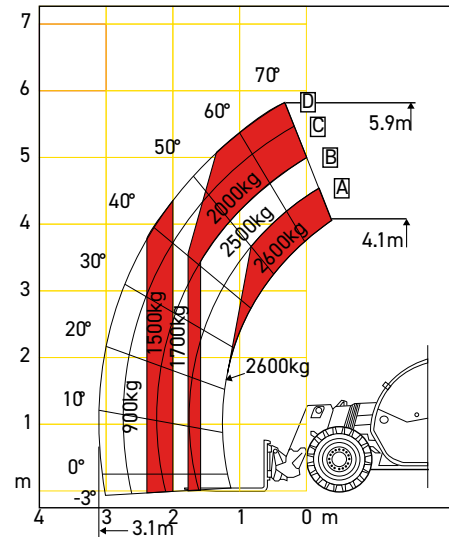


6m Electric Telehandler



Motor

Travel drive motor - S2 (60')	15 kW
Lifting motor - S3 (70%)	10 kW
Emissions	zero emissions

Standard Battery (300 Ah)

Lithium battery	80 V
Rated capacity	300 Ah
Charging time (standard on-board single phase charger)	0-80% 12 h 0-100% 15 h
Charging time (standard external three phase charger)	0-80% 3 h 0-100% 3 h 45 min
Charging time (optional external three phase fast charger)	0-80% 1 h 0-100% 1.5 h
Running time under normal activities, continuous operations*	up to 3 h
Running time under normal activities, interrupted operations*	up to 6 h

Battery Charger

On-board battery charger (standard)	single phase 110/240v
External battery charger (standard)	three phase 400v
External battery charger - fast (optional)	three phase 400v

Vehicle Data

Weight	4800 kg
Weight capacity	2600 kg
Speed	0-12 km/h
Traction drive	all-wheels via universal joint shaft
Steering	all-wheels
Electrical system	12 V
Flow rate hydraulic services	80 l/min @ 230 bar
Steering radius	3.25 m
Wheels	12-16.5

Dimensions

Height	1935 mm
Width	1890 mm
Pitch	2525 mm
Length	4198 mm
Cab width	960 mm
Clearance from ground	220 mm