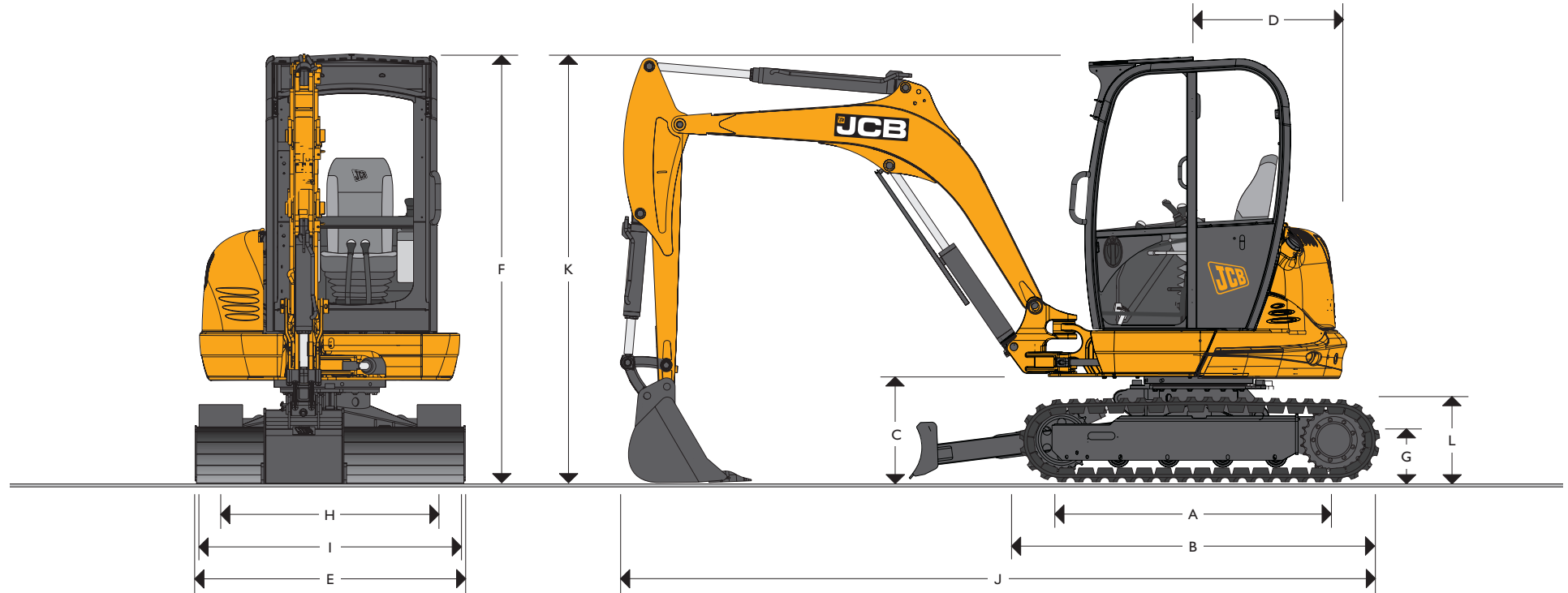




OPERATING WEIGHT: 2833 kg (6246 lb), 2806 kg (6186 lb), 3217 kg (7092 lb), 3651 kg (8032 lb) NET ENGINE POWER: 20 kW (26.8 hp) & 22.7 kW (30.4 hp)



### STATIC DIMENSIONS

Machine model		8025 ZTS LC	8025 ZTS	8030 ZTS	8035 ZTS	Machine model		8025 ZTS LC	8025 ZTS	8030 ZTS	8035 ZTS	
A	Sprocket idler centres	mm (ft-in)	1597 (5-3)	1440 (4-8¼)	1597 (5-3)	1597 (5-3)	G	Ground clearance	mm (ft-in)	270 (0-10¾)	270 (0-10¾)	270 (0-10¾)
B	Undercarriage overall length	mm (ft-in)	2052 (6-9)	1870 (6-1¾)	2052 (6-8¾)	2052 (6-8¾)	H	Track gauge	mm (ft-in)	1252 (4-1¼)	1252 (4-1¼)	1352 (4-5¼)
C	Kingpost clearance	mm (ft-in)	528 (1-9)	528 (1-9)	528 (1-9)	528 (1-9)	I	Width over tracks	mm (ft-in)	1502 (4-11)	1502 (4-11)	1652 (5-5)
D	Tailswing radius	mm (ft-in)	750 (3-5½)	750 (3-5½)	800 (3-7½)	850 (2-9½)	J	Transport length	mm (ft-in)	4125 (13-6½)	4280 (14-0½)	4287 (14-0¾)
E	Overall width of superstructure	mm (ft-in)	1550 (5-1)	1550 (5-1)	1650 (5-5)	1656 (5-5)	K	Transport height	mm (ft-in)	2435 (7-11¾)	2435 (7-11¾)	2435 (7-11¾)
F	Height over cab	mm (ft-in)	2435 (7-11¾)	2435 (7-11¾)	2435 (7-11¾)	2435 (7-11¾)	L	Track height	mm (ft-in)	480 (1-7¾)	480 (1-7¾)	480 (1-7¾)



**ENGINE**

Machine Model		8025 ZTS LC, 8025 & 8030 ZTS	8035 ZTS
Model		403D-15 Tier 3	403D-17 Tier 3
Fuel		Diesel	Diesel
Cooling		Water cooled	Water cooled
Gross power	kW (hp) @ 2200 rpm	20.9 (28)	23.6 (31.6)
Nett power	kW (hp) @ 2200 rpm	20 (26.8)	22.7 (30.44)
Gross torque	Nm (lbf ft) @ 1600 rpm	96 (70.8)	106.3 (78.4)
Nett torque	Nm (lbf ft) @ 1600 rpm	92 (67.9)	102.3 (75.45)
Displacement	cc	1496	1663
Gradeability	degrees	36	36
Starter motor	kW (hp)	2 (2.68)	2 (2.68)
Battery	volt/Ah	12 / 75	12 / 75
Alternator	amps	65	65

**UNDERCARRIAGE**

Machine model		8025 ZTS LC	8025 ZTS	8030 ZTS	8035 ZTS
No of bottom rollers		3	3	4	4
Track width	mm (in)	250 (10)	250 (10)	300 (12)	300 (12)
Ground bearing pressure	kg/cm <sup>2</sup>	0.35	0.39	0.34	0.38
Ground clearance	mm (in)	270 (0-10¾)	270 (0-10¾)	270 (0-10¾)	270 (0-10¾)
Track tensioning		Grease	Grease	Grease	Grease
Travel speed – low	kph (mph)	2.4 (1.5)	2.4 (1.5)	2.4 (1.5)	2.4 (1.5)
Travel speed – high	kph (mph)	4.3 (2.7)	4.3 (2.7)	4.3 (2.7)	4.3 (2.7)
Tractive effort	kN (lbf)	24.6 (5530)	24.6 (5530)	27.3 (6137)	32 (7194)

**HYDRAULIC SYSTEM**

		8025 ZTS LC 8025 ZTS	8030 ZTS	8035 ZTS
Pump		2 Variable & 1 Gear	2 Variable & 1 Gear	2 Variable & 1 Gear
Nominal output	lpm	102	102	110
Nominal output	US gal/min	26.9	26.9	29.1
Excavator/track main relief	bar (psi)	220 (3191)	245 (3553)	245 (3553)
Slew main relief	bar (psi)	190 (2756)	190 (2756)	190 (2756)
Auxiliary hydraulic flow	litres (US gal)	58 (15.3)	58 (15.3)	69 (18.2)
Hydraulic motors		Piston	Piston	Piston

**STANDARD EQUIPMENT – 8025 ZTS LC/8025 ZTS**

ROPS & TOPS certified canopy, full audio/visual warning systems, slew travel lock, control isolator, lockable toolbox, 12v power socket, lifting points, rubber tracks, ISO servo controls, static seat, boom worklight, track pedals, single acting auxiliary circuit, boom ram protection, dozer blade, 1100mm dipper.

**OPTIONAL EQUIPMENT – 8025 ZTS LC/8025 ZTS**

ROPS & TOPS certified fully glazed cab (includes heater, interior light, foldback door, gas strut assisted front screen), suspension seat, steel tracks, dual pattern controls (ISO/SAE change-over), cab/canopy mounted worklights, long dozer blade, double acting auxiliary circuit, engine fan guard, FOPS roof guard, mirror, toolkit, radio, biodegradeable hydraulic oil, fire extinguisher, sunblind (cab builds), battery isolator, Datatag (UK only), travel alarm, immobiliser, yellow roof moulding, hose burst check valves, boom, dipper and dozer, digging buckets (230mm to 600mm), 1000mm ditching/grading bucket, hydraulic breakers, earthdrill, mechanical quickhitch, hydraulic kerb-lifter, bushed king post.

**STANDARD EQUIPMENT – 8030 ZTS**

ROPS & TOPS certified canopy, full audio/visual warning systems, slew travel lock, control isolator, lockable toolbox, 12v power socket, lifting points, rubber tracks, ISO servo controls, suspension seat, boom worklight, track pedals, single acting auxiliary circuit, boom ram protection, dozer blade, 1300mm dipper.

**OPTIONAL EQUIPMENT – 8030 ZTS**

ROPS & TOPS certified fully glazed cab (includes heater, interior light, foldback door, gas strut assisted front screen), steel tracks, dual pattern controls (ISO/SAE change-over), cab/canopy mounted worklights, double acting auxiliary circuit, air conditioning, engine fan guard, FOPS roof guard, mirror, toolkit, radio, biodegradeable hydraulic oil, fire extinguisher, sunblind (cab builds), battery isolator, Datatag (UK only), travel alarm, immobiliser, yellow roof moulding, hose burst check valves, boom, dipper and dozer, digging buckets (230mm to 760mm), 1000mm ditching/grading bucket, hydraulic breakers, earthdrill, mechanical quickhitch, hydraulic kerb-lifter, bushed king post.

**STANDARD EQUIPMENT – 8035 ZTS**

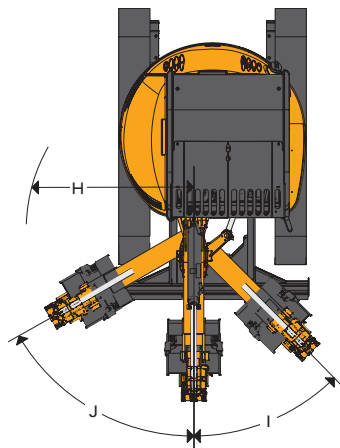
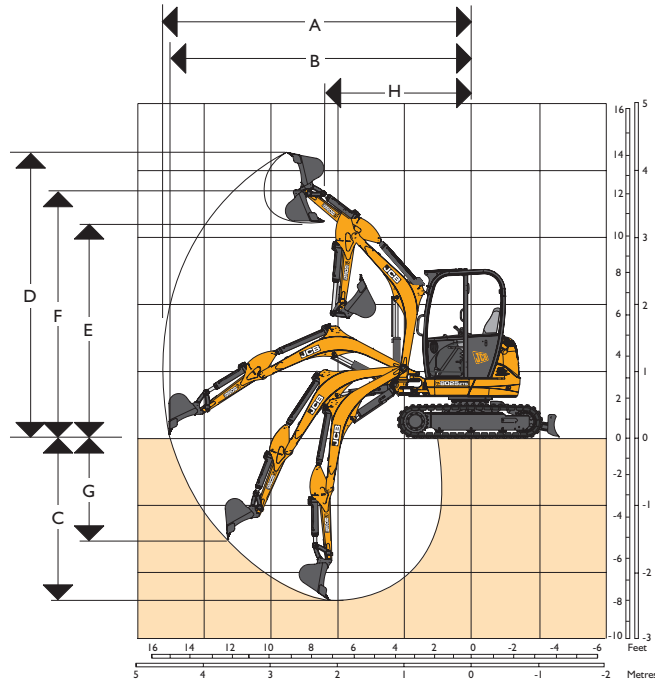
ROPS & TOPS certified canopy, full audio/visual warning systems, slew travel lock, control isolator, lockable toolbox, 12v power socket, lifting points, rubber tracks, ISO servo controls, suspension seat, boom worklight, track pedals, single acting auxiliary circuit, boom ram protection, dozer blade, 1525mm dipper.

**OPTIONAL EQUIPMENT – 8035 ZTS**

ROPS & TOPS certified fully glazed cab (includes heater, interior light, foldback door, gas strut assisted front screen), steel tracks, dual pattern controls (ISO/SAE change-over), cab/canopy mounted worklights, double acting auxiliary circuit, air conditioning, engine fan guard, FOPS roof guard, mirror, toolkit, radio, biodegradeable hydraulic oil, fire extinguisher, sunblind (cab builds), battery isolator, Datatag (UK only), travel alarm, immobiliser, yellow roof moulding, hose burst check valves, boom, dipper and dozer, digging buckets (230mm to 760mm), 1000mm ditching/grading bucket, hydraulic breakers, earthdrill, mechanical quickhitch, hydraulic kerb-lifter, bushed king post.



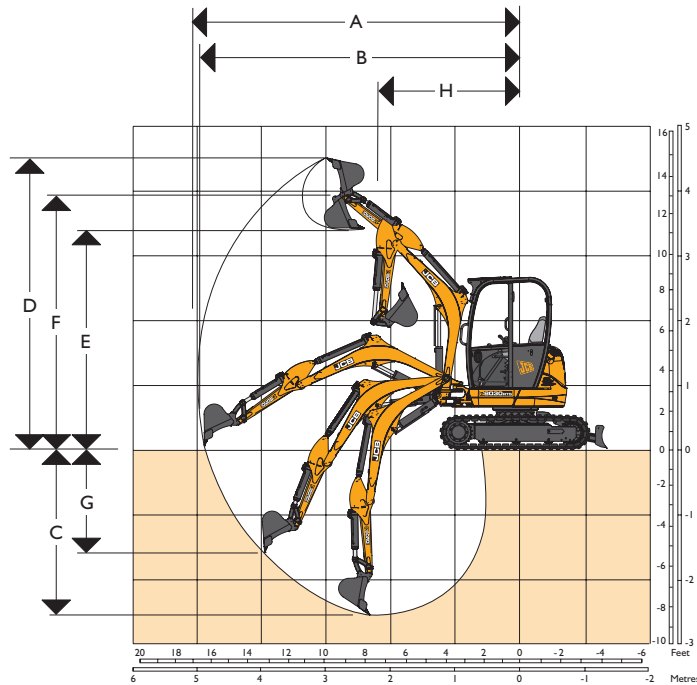
WORKING RANGE – 8025 ZTS LC / 8025 ZTS



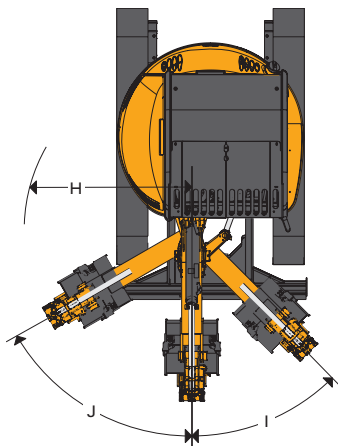
Machine Model		8025 ZTS LC	8025 ZTS
Boom length	mm (ft-in)	1990 (6-6¼)	2130 (7-0)
Dipper length	mm (ft-in)	1100 (3-7¼)	1100 (3-7¼)
A Max digging reach	mm (ft-in)	4600 (15-1)	4828 (15-10)
B Max digging reach on ground	mm (ft-in)	4425 (14-6)	4691 (15-4½)
C Max digging depth – dozer up	mm (ft-in)	2452 (8-1)	2580 (8-5½)
Max digging depth – dozer down	mm (ft-in)	2509 (8-2¾)	2832 (9-3½)
D Max digging height	mm (ft-in)	4017 (13-2)	4333 (14-2½)
E Max dump height	mm (ft-in)	2707 (8-10½)	3158 (10-4¼)
F Max height to dipper nose pivot pin	mm (ft-in)	3447 (11-3½)	3700 (12-1½)
G Max vertical wallcut depth	mm (ft-in)	1220 (4-0)	1542 (5-0¾)
H Min. front swing radius (no offset)	mm (ft-in)	2007 (6-7)	2125 (6-11½)
Min. front swing radius (fully offset)	mm (ft-in)	1850 (6-1)	1912 (6-3¼)
I Boom swing left	degrees	45	45
J Boom swing right	degrees	60	60
Bucket rotation	degrees	189	189
Dipper rotation	degrees	107	118.5
Bucket tearout	kN (lbf)	24 (5395)	24 (5395)
Dipper tearout	kN (lbf)	15 (3372)	15 (3372)
Slew speed	rpm	9.6	9.6



WORKING RANGE – 8030 ZTS

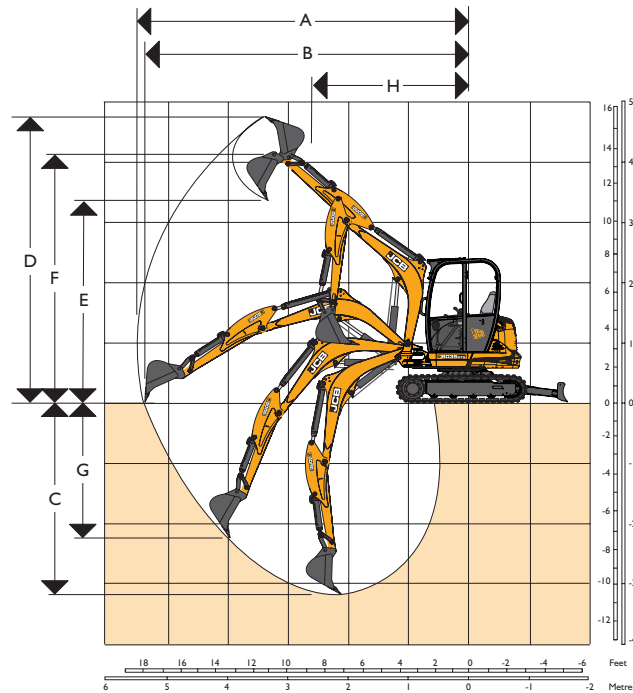


Machine Model		8030 ZTS
Boom length	mm (ft-in)	2130 (7-0)
Dipper length	mm (ft-in)	1300 (4-2¼)
A Max digging reach	mm (ft-in)	5031 (16-6)
B Max digging reach on ground	mm (ft-in)	4901 (16-1)
C Max digging depth – dozer up	mm (ft-in)	2794 (9-2)
Max digging depth – dozer down	mm (ft-in)	3119 (10-2¾)
D Max digging height	mm (ft-in)	4453 (14-7¼)
E Max dump height	mm (ft-in)	3205 (10-6)
F Max height to dipper nose pivot pin	mm (ft-in)	3808 (12-6)
G Max vertical wallcut depth	mm (ft-in)	1741 (5-8½)
H Min. front swing radius (no offset)	mm (ft-in)	2150 (7-0½)
Min. front swing radius (fully offset)	mm (ft-in)	2010 (6-7)
I Boom swing left	degrees	45
J Boom swing right	degrees	60
Bucket rotation	degrees	186
Dipper rotation	degrees	119
Bucket tearout	kN (lbf)	28 (6295)
Dipper tearout	kN (lbf)	17 (3822)
Slew speed	rpm	9.6

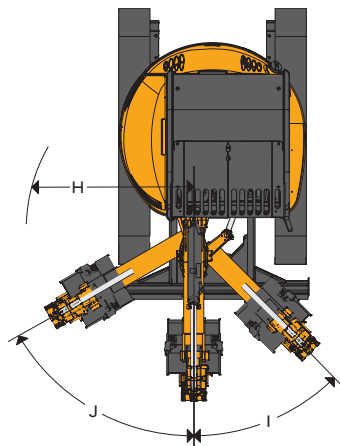




WORKING RANGE – 8035 ZTS



Machine Model		8035 ZTS
Boom length	mm (ft-in)	2330 (7-8)
Dipper length	mm (ft-in)	1525 (4-0)
A Max digging reach	mm (ft-in)	5436 (17-9½)
B Max digging reach on ground	mm (ft-in)	5315 (17-5)
C Max digging depth – dozer up	mm (ft-in)	3179 (10-5)
Max digging depth – dozer down	mm (ft-in)	3512 (11-6½)
D Max digging height	mm (ft-in)	4601 (15-2)
E Max dump height	mm (ft-in)	3482 (11-5)
F Max height to dipper nose pivot pin	mm (ft-in)	4009 (13-8¾)
G Max vertical wallcut depth	mm (ft-in)	2165 (7-1¼)
H Min. front swing radius (no offset)	mm (ft-in)	2492 (8-2)
Min. front swing radius (fully offset)	mm (ft-in)	1630 (5-4½)
I Boom swing left	degrees	45
J Boom swing right	degrees	60
Bucket rotation	degrees	186
Dipper rotation	degrees	119
Bucket tearout	kN (lbf)	32 (7193)
Dipper tearout	kN (lbf)	20 (4496)
Slew speed	rpm	9.6





8025 ZTS LC LIFT CAPACITIES – Standard Dozer, 250mm (10in) Rubber Tracks, 1100mm (3ft-7¼in) dipper, No bucket.

Load Point	Reach from slew centre															
	2.0m (6ft 7in)			2.5m (8ft 2½in)			3.0m (9ft 10in)			3.5m (11ft 6in)			Capacity at maximum reach			
Height	Dozer up	Dozer down		Dozer up	Dozer down		Dozer up	Dozer down		Dozer up	Dozer down		Dozer up	Dozer down		mm
m (ft-in)	kg	kg	kg	kg	kg	kg	kg	kg	kg	kg	kg	kg	kg	kg	kg	mm
2.0 (6-7)				666*	676*		635*	661*	401	428	644*	304	398	635*	276	3700
1.5 (4-11)				735	922*	518	540	740*	390	413	700*	303	360	687*	259	3800
1 (3-3)				675	1148*	482	518	900*	377	405	763*	297	345	700*	254	3850
0.5 (1-8)				653	1296*	461	495	961*	360	398	792*	289	353	731*	255	3800
Ground Level	825	1792*	604	623	1344*	435	476	1021*	346	383	823*	275	353	770*	259	3640
-0.5 -(1-8)	825	1757*	585	638	1340*	450	480	1012*	345				398	821*	285	3450
-1 -(3-3)	735	1503*	580	563	1186*	430	477	900*	338				477	900*	335	3000

8025 ZTS LIFT CAPACITIES – Standard Dozer, 250mm (10in) Rubber Tracks, 1100mm (3ft-7¼in) dipper, No bucket.

Load Point	Reach from slew centre															
	2.5m (8ft 2½in)			3.0m (9ft 10in)			3.5m (11ft 6in)			4.0m (13ft 1in)			Capacity at maximum reach			
Height	Dozer up	Dozer down		Dozer up	Dozer down		Dozer up	Dozer down		Dozer up	Dozer down		Dozer up	Dozer down		mm (ft-in)
m (ft-in)	kg	kg	kg	kg	kg	kg	kg	kg	kg	kg	kg	kg	kg	kg	kg	mm (ft-in)
2.0 (6-7)				390	627*	372	281	599*	278				218	599*	222	3900 (12-9½)
1.5 (4-11)	473	987*	454	360	783*	338	270	675*	259	210	635*	207	210	635*	207	4000 (13-1)
1 (3-3)	458	1218*	420	326	863*	319	259	735*	243	199	655*	199	190	647*	188	4100 (13-5½)
0.5 (1-8)	420	1342*	399	323	1019*	307	259	811*	237	214	711*	188	214	711*	188	4100 (13-5½)
Ground Level	420	1422*	398	326	1107*	302	259	871*	239		735*		214	735*	207	4100 (13-5½)
-0.5 -(1-8)	401	1302*	405	326	1103*	306	259	851*	240				235	775*	225	3650 (12-0)
-1 -(3-3)	420	1286*	390	319	959*	294							270	767*	257	3300 (10-10)

8030 ZTS LIFT CAPACITIES – Standard Dozer, 300mm (12in) Rubber Tracks, 1300mm (4ft-2¼in) dipper, No bucket.

Load Point	Reach from slew centre															
	2.5m (8ft 2½in)			3.0m (9ft 10in)			3.5m (11ft 6in)			4.0m (13ft 1in)			Capacity at maximum reach			
Height	Dozer up	Dozer down		Dozer up	Dozer down		Dozer up	Dozer down		Dozer up	Dozer down		Dozer up	Dozer down		mm (ft-in)
m (ft-in)	kg	kg	kg	kg	kg	kg	kg	kg	kg	kg	kg	kg	kg	kg	kg	mm (ft-in)
2.0 (6-7)							450	587*	405	356	605*	323	353	600*	323	4000 (13-1)
1.5 (4-11)	717	1188*	660	544	840*	518	428	675*	405	353	639*	319	319	635*	319	4000 (13-1)
1 (3-3)	728	1266*	653	544	917*	503	420	774*	386	341	683*	315	303	666*	293	4280 (14-0½)
0.5 (1-8)	690	1543*	608	521	1068*	458	420	866*	371	341	746*	308	300	696*	293	4220 (13-10)
Ground Level	638	1531*	596	495	1157*	454	413	940*	364	338	761*	304	323	770*	304	4100 (13-5½)
-0.5 -(1-8)	602	1509*	570	473	1187*	446	405	922*	364				343	783*	323	3880 (12-8¾)
-1 -(3-3)	615	1488*	563	495	1262*	420	413	848*	353				413	848*	353	3500 (11-6)

**8035 ZTS LIFT CAPACITIES – Standard Dozer, 300mm (12in) Rubber Tracks, 1525mm (5ft-0¼in) dipper, No bucket.**

Load Point	Reach from slew centre														
	2.5m (8ft 2½in)			3.0m (9ft 10in)			3.5m (11ft 6in)			4.0m (13ft 1in)			Capacity at maximum reach		
Height	Dozer up	Dozer down		Dozer up	Dozer down		Dozer up	Dozer down		Dozer up	Dozer down		Dozer up	Dozer down	
m (ft-in)	kg	kg	kg	kg	kg	kg	kg	kg	kg	kg	kg	kg	kg	kg	kg
2.0 (6-7)				593*	610*	626*	578*	617*	606*	390	623*	431	315	596*	330
1.5 (4-11)	954*	1031*	996*	617	846*	676	490	755*	522	386	697*	414	312	668*	315
1 (3-3)	800	1366*	846	606	1061*	614	465	878*	486	388	854*	407	306	711*	307
0.5 (1-8)	720	1579*	800	534	1205*	636	476	996*	481	367	849*	397	315	741*	313
Ground Level	660	1679*	787	529	1444*	604	438	1066*	483	361	883*	386	301	740*	522
-0.5 -(1-8)	684	1804*	759	555	1466*	577	446	1125*	475	378	922*	390	337	819*	337
-1 -(3-3)	691	1693*	772	499	1321*	585	401	1117*	481	361	935*	399	362	859*	385

Lift capacity front and rear.

Lift capacity full circle.

**Notes:**

- Lifting capacities are based on ISO 10567, that is: 75% of minimum tipping load or 87% of hydraulic lift capacity, whichever is the less. Lifting capacities marked\* are based on hydraulic capacity.
- Lift capacities assume that the machine is on firm, level ground and equipped with an approved lifting point.
- A bucket must be fitted when lifting, the weight of this bucket must be deducted from the above lift capacities.
- Lift capacities may be limited by local regulations. Please refer to your dealer.

**OPERATOR ENVIRONMENT**

Machine Model		8025 ZTS LC, 8025, 8030 & 8035 ZTS
Cab/canopy height	mm (ft-in)	1517 (4-11¼)
Cab/canopy length	mm (ft-in)	1205 (3-11½)
Cab/canopy width	mm (ft-in)	980 (3-2½)
Door aperture width	mm (ft-in)	532 (1-9)

**SERVICE CAPACITIES**

Machine model		8025 ZTS LC, 8025 ZTS	8030 ZTS	8035 ZTS
Fuel tank	litres (US gal)	40 (10.6)	40 (10.6)	40 (10.6)
Engine coolant	litres (US gal)	8.5 (2.5)	8.5 (2.5)	8.5 (2.5)
Engine oil	litres (US gal)	4.5 (1.2)	4.5 (1.2)	4.5 (1.2)
Hydraulic system	litres (US gal)	70 (18.5)	70 (18.5)	70 (18.5)
Hydraulic tank	litres (US gal)	45 (11.9)	45 (11.9)	45 (11.9)

**EEC NOISE LEVELS (95/27/EC DYNAMIC)**

Machine model		8025 ZTS LC, 8025 ZTS	8030 ZTS	8035 ZTS
Cab / canopy external	dB (LwA)	95	95	95
Cab internal	dB (LpA)	77	77	77

**MACHINE WEIGHTS**

Machine model		8025 ZTS LC	8025 ZTS	8030 ZTS	8035 ZTS
Operating weight*	kg (lb)	2833 (6246)	2806 (6186)	3217 (7092)	3651 (8032)
With canopy	kg (lb)	- 100 - (220.5)	- 100 - (220.5)	- 100 - (220.5)	- 100 - (220.5)
With FOGS guard	kg (lb)	+ 36 + (79)	+ 36 + (79)	+ 36 + (79)	+ 36 + (79)
With steel tracks	kg (lb)	+ 60 + (132)	+ 60 + (132)	+ 70 + (154)	+ 70 + (154)
With long dozer	kg (lb)	+ 24 + (53)	+ 24 + (53)	N/A	N/A
With suspension seat	kg (lb)	+ 12 + (26.5)	+ 12 + (26.5)	N/A	N/A

\*Operating weight to ISO 6016 including cab, rubber tracks, standard dipper, 300mm (12in) bucket, full tanks and a 75kg (165lb) operator.

**DOZER BLADE**

Machine model		8025 ZTS LC, 8025 ZTS	8030 ZTS	8035 ZTS
Max height (above ground)	mm (ft-in)	290 (0-11½)	370 (1-2½)	370 (1-2½)
Dig depth (below ground)	mm (ft-in)	405 (1-4)	622 (2-0½)	629 (2-0¾)
Approach angle	degrees	31	24.5	24.5
Width	mm (ft-in)	1550 (5-1)	1650 (5-5)	1750 (5-9)
Height	mm (ft-in)	318 (1-0½)	335 (1-1)	335 (1-1)
Reach in front of tracks	mm (ft-in)	342 (1-1½)	681 (2-2¾)	668 (2-2½)



## A GLOBAL COMMITMENT TO QUALITY

JCB's total commitment to its products and customers has helped it grow from a one-man business into Britain's largest privately owned manufacturer of backhoe loaders, crawler excavators, wheeled excavators, telescopic handlers, wheeled loaders, dump trucks, rough terrain fork lifts, industrial fork lifts, mini/midi excavators, skid steer loaders, tractors and compaction equipment.

By making constant and massive investments in the latest production technology, the JCB factories have become some of the most advanced in the world.

By leading the field in innovative research and design, extensive testing and stringent quality control, JCB machines have become renowned all over the world for performance, value and reliability.

And with a global sales and service network of more than 650 dealers and agents, we aim to deliver the best customer support in the industry.

Through setting the standards by which others are judged, JCB has become one of the world's most impressive success stories.

